
CBNsdh 7653

Fridge-freezer with BioFresh and
NoFrost
○ Prime

LIEBHERR

Freestanding



Freestanding

LIEBHERR

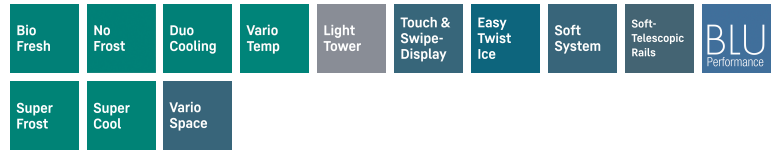
CBNsdh 7653

Fridge-freezer with BioFresh and NoFrost

◊ Prime



← 75 →



Total net	Fridge: 282 l / Freezer compartment: 128 l
Noise output	34 dB(A)
Climate rating	SN-T (+10 °C to +43 °C)
Frequency / voltage	50-60 Hz / 220-240 V-
Connection Rating	1.4 A 183 W
Door / Side walls	SmartSteel / silver
Exterior dimensions in cm (h / w / d)	185.5 / 74.7 / 67.5¹
Controls	
Type of Control	2.4" TFT-colour display behind-the-door, touch- & swipe Digital temperature display for fridge, BioFresh and freezer compartments
Interface	SmartDeviceBox: optional accessory (Only available in selected countries)
Door alarm	visual and acoustic
Alarm in case of malfunction	visual and acoustic
Fridge compartment	
Forced air system	PowerCooling with FreshAir activated charcoal filter
Door interior	Premium GlassLine storage shelves with bottle holder, removable VarioBoxes, adjustable egg tray
VarioSafe	yes
Bottle shelf	Integrated bottle shelf
Interior light	LED light panel, both sides LED BioFresh lighting
BioFresh-Safes	1 BioFresh safe with SoftTelescopic, 1 Fruit & Vegetable safe
Freezer compartment	
Star coding	****
Interior light	LED lighting
Number of drawers	3 drawers, VarioSpace
Freezing capacity in 24 hours	10 kg
Temperature rise time	20 h
Features	
Door hinges	Reversible door hinging, right
Replaceable door seal	yes
EAN-Nr.	4016803057437

¹ To achieve the indicated energy consumption level, the wall spacers provided with the appliance must be used. These increase the appliance depth by approximately 1.5 cm. If the wall spacers are not used, the appliance will remain fully functional, but will have a slightly higher energy consumption level.

Features



Fruit & Vegetable safe

Crunchy salad and strawberries: the most delicate foods deserve a special place so they stay fresh longer – in BioFresh safes. In the Fruit & Vegetable safe the temperature is close to 0 °C. Combined here with the constant humidity, thanks to the air-tight closure, unpackaged fruit and vegetables feel particularly at home. You do not have to adjust anything.



NoFrost

When you open your freezer, you want to see frozen food – and certainly not ice and frost. NoFrost protects the freezer compartment from unwanted icing, which consumes a lot of energy and can be expensive. NoFrost means no more tedious and time-consuming defrosting of the freezer compartment, more time for other things – and saving money.



DuoCooling

DuoCooling uses two completely separate refrigeration circuits to ensure no air is exchanged between the fridge and freezer compartments. The food neither dries out nor is odour transferred. This means throwing less away, shopping less often, but saving more and greater enjoyment.



SmartSteel

The purist design language of the appliance is exclusively emphasised thanks to the SmartSteel surface. The horizontal cut emphasises the stainless steel and gives it a silky sheen and a pleasant feel. In addition, the anti-fingerprint coating minimises fingerprints and makes the surface resistant to scratches. So nothing disturbs the high-quality exterior.



VarioTemp

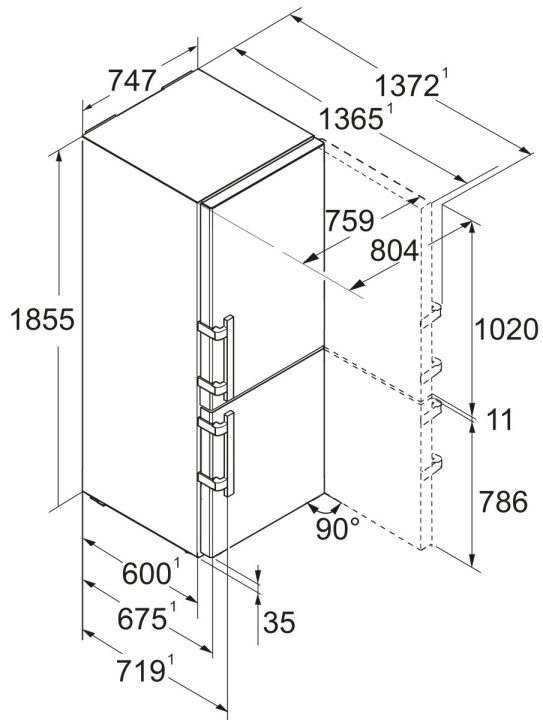
Enjoy total flexibility in food storage with VarioTemp. You can set the freezer compartment between -15 °C and -26 °C, or convert it to a fridge or cellar compartment when additional cooling space is required, with an adjustable temperature range from -2 °C to +14 °C. If you don't need the freezer compartment at all, simply switch it off independently of the fridge to save energy and money.



LightTower

Enjoy an optimally illuminated interior: the LightTower shows off the food in its best light and is positioned so that all of your filled fridge is illuminated at all times. The flush mounting of the LightTower in the side walls means there is also more space for your food.

Technical drawing



Products and their details are staged for advertising purposes. Whilst every effort is made to ensure all specifications and information in this flyer are accurate, Liebherr reserves the right to make changes without notification. Where actual appliance measurements, specifications, and ratings are crucial, we recommend that the actual appliance installation instructions that accompany each appliance be checked. Liebherr will not be liable for any damage. (16.08.2024)

