

FREESTANDING COOKERS

FS61XNG8-1 60CM CLASSIC CONCERT COOKER



EAN 8017709310776

Dimensions 600mmW x 935 - 990mmH x 600mmD (Height includes 60mm splashback)

Finish Fingerprint-proof stainless steel

Installation Freestanding

Display DIGI screen

Gas Hob

Capacity 4 burners
Front left (wok) 14.5 mj/hr
Rear left 6.5 mj/hr
Front right 3.6 mj/h
Rear right 6.5 mj/hr

Gas input Set for natural gas, regulator supplied, adapt for ULPG, no regulator required

Safety Flame failure device fitted to each burner

Supplied accessories Cast-iron trivets, cast-iron wok stand

Main oven

Capacity 79L

Total functions 7

Door glass Triple glazed door

Cooking levels 5

Thermostat 50-260°C

Programmability Fully programmable

Cleaning Vapour Clean

Lighting 1 x 40W halogen

Safety Thermal protection

Supplied accessories 2 x Chrome shelf
1 x Chrome grill insert
1 x 40mm baking tray

Optional accessories PRTX - Pizza Stone
PPR2 - Gourmet Cooking Stone
PALPZ - Single-handle pizza paddle
38508/510 - Baking Dish
GT1P-2 - Partial telescopic guides
GT1T-2 - Total telescopic guides

Power 220-240V, 50/60Hz
2200W
10A Connection

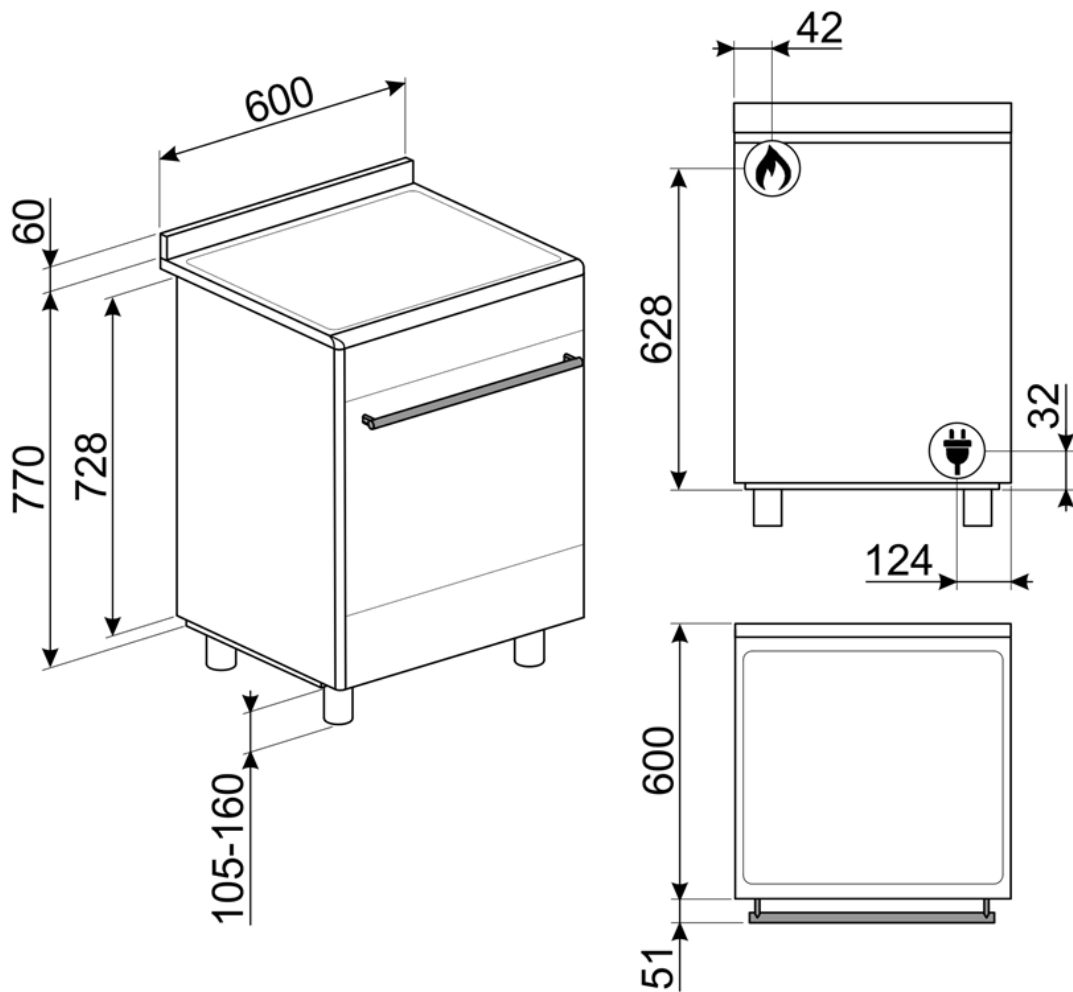
Warranty Two years part*

ID210712

FREESTANDING COOKERS

FS61XNG8-1 60CM CLASSIC CONCERT COOKER

Functions



PLEASE NOTE: drawings are not to scale. They are to assist only.
WARNING: technical specifications and product sizes can be varied by the manufacturer without notice.
Cutouts for appliances should only be by physical product measurements. The above information is indicative only.

ID210712