

CS9GMXA2
90CM CLASSIC FREESTANDING COOKER

MADE IN ITALY
Since 1948



THERMOSEAL

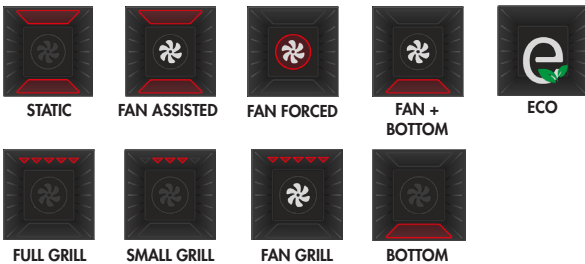
The seal of Smeg's quality, technical excellence and taste: succulent roasts, crisp pastry and impressive baking is achieved in Smeg's unique, perfectly controlled cooking environment. Thermoseal maintains the perfect atmospheric balance in the cavity for optimum cooking conditions.



EVER CLEAN ENAMEL

The superior quality of Smeg's patented Ever Clean enamel, which is highly durable and easy to clean, is the result of nearly 70 years of enameling expertise; ensuring long-life performance of every Smeg oven.

NINE TRADITIONAL COOKING FUNCTIONS:



VAPOUR CLEAN

Smeg's Ever Clean enamel's tough surface has a glassy finish, so a simple spray of water and detergent around the cavity in conjunction with the Vapour Clean option will generate heat and steam to soften any grease for a wipe-clean result.

LARGE FORMAT COOKING

A huge 126L capacity with five shelf positions is ideal for cooking several dishes at once. Plus, the 90cm cooktop boasts six gas burners so you can have multiple pans on the go at once.

OTHER FUNCTIONS:



NEW SEAMLESS DESIGN

Intuitive controls, elegant Italian design and a seamless edge creates restaurant-quality meals at home whilst blending perfectly into your kitchen. Premium quality appliances with superior technology and beautiful style.

CS9GMXA2
90CM CLASSIC FREESTANDING COOKER

MADE IN ITALY
Since 1948

EAN	8017709330958
Dimensions	900mmW x 900mmH x 600mmD (excluding handle) (refer to technical drawing)
Finish	Stainless steel Eclipse high visibility black glass
Installation	Freestanding
Display	Electronic Touch Clock
Power	220-240V, 50/60Hz 3200W 14A Connection
Warranty	Two years parts and labour

MAIN OVEN FEATURES

Capacity	126L
Cooking functions	9
Other functions	2
Door	Triple glazed
Shelf positions	5
Thermostat	50° C - 260° C
Cooking with probe	No
Cleaning	Vapour Clean
Lighting	2 x 40W Halogen
Safety	Thermal protection system
Fans	2
Timer	End of cooking acoustic alarm Timer
Door	Standard

GAS HOB FEATURES

Capacity	6 burners Front left: 15 Mj/h Rear left: 3.9 Mj/h Front centre: 3.9 Mj/h Rear centre: 7.5 Mj/h Rear right: 12 Mj/h Front right: 7.5 Mj/h
Gas input	Set for natural gas, regulator supplied, adapt for ULPG, no regulator required
Safety	Flame failure device fitted to each burner

INCLUDED ACCESSORIES

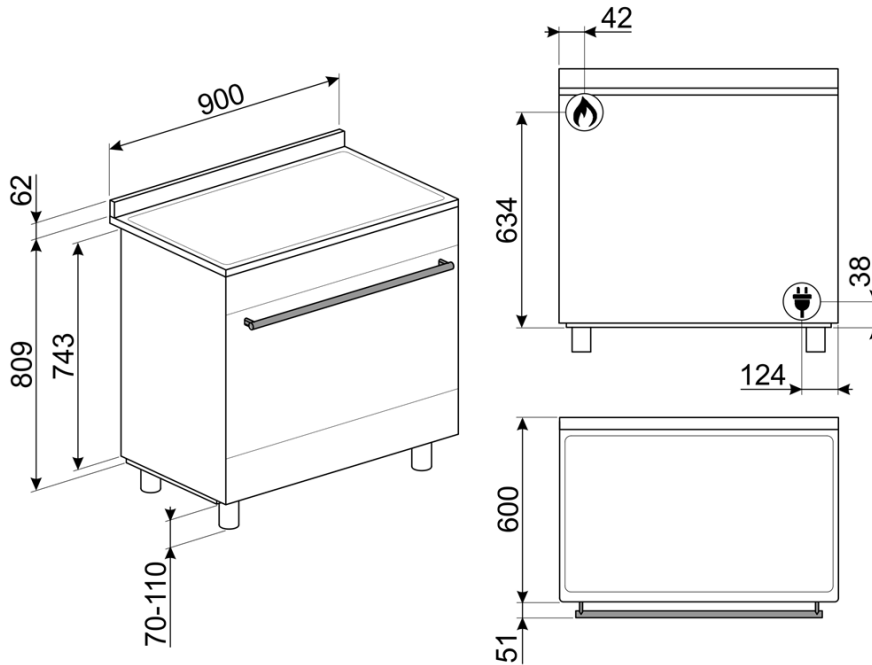
- 1 x Chrome grill insert
- 1 x Chrome shelf
- 1 x 20mm enamelled baking tray
- 1 x 40mm enamelled baking tray
- 1 x GTT2 - Full telescopic guides
- 1 x Cast iron wok support
- 1 x Stainless steel plinth

OPTIONAL ACCESSORIES

- GTP - Partial telescopic guides
- GTT - Full telescopic guides
- PPR9 - Pizza stone

CS9GMXA2
90CM CLASSIC FREESTANDING COOKER

MADE IN ITALY
Since 1948



Dimensions	900mmW x 900mmH x 600mmD (excluding handle) (refer to technical drawing)
Power	220-240V, 50/60Hz 3200W 14A Connection
Warranty	Two years parts and labour

PLEASE NOTE: drawings are not to scale. They are to assist only.
WARNING: technical specifications and product sizes can be varied by the manufacturer without notice.
Cutouts for appliances should only be by physical product measurements. The above information is indicative only.