

14cm black built-in warming drawer with 6 place settings and fan heat circulation.
RRP AUS \$1,599.00



Product Details

FEATURES

Keep dishes warm
Keep dishes warm in the built-in warming drawer.

Dough proving program
The warming drawer creates the ideal environment for your dough to rise when baking bread at home.

A perfect complement to the oven
The built-in warming drawer is designed to align perfectly with the oven for a seamless aesthetic.

Simplified controls
Simplified controls to choose settings with ease.

Extra storage space
Extra storage space for crockery and cookware.

Defrost setting
Defrost food gently for maximum flavour.

Anti-slip mat
Keep dishes safe with anti-slip mats.

BENEFITS

WARM FOOD, WARM PLATES

Why not enjoy every dish at its perfect temperature. The built-in warming drawer keeps your cooked food and plates warm until its time to serve.

THE PERFECT RISE

The warming drawer is the ideal environment for your dough to rise when baking bread. Now you can turn out home-made loaves with the perfect shape and scrumptious texture created by a professional baker.

DESIGNED FOR PERFECT ALIGNMENT

The built-in warming drawer is designed to perfectly complement the oven for a seamless aesthetic. When not in use warming dishes, the drawer conveniently provides extra storage space in your kitchen.

SIMPLE TO CONTROL, EASY TO SET

With such efficient, simplified controls, its so easy to choose the setting that best suits your needs.

CONVENIENT EXTRA STORAGE SPACE

When it's not warming dishes, the drawer doubles as convenient extra storage space to keep your crockery neatly stored right where you need it. The multitasking built-in drawer is designed to perfectly complement the oven, creating a seamless match.

DEFROST GENTLY. RETAIN TASTE.

This warming drawer efficiently defrosts food, using a low heat to preserve the texture and taste of food. Because gentle defrosting delivers delicious dishes.

Specifications

PRODUCT PROFILE

Domestic warranty details (yrs)	5
Type	built-in

FEATURES

Number of place settings	6
Features	Cups & Glass warming (40d °C), Heating Element, Plate Warming (60d °C), Fan air circulation, Variable temperature control, On/Off LED, Anti-slip mat, Temperature range, Defrosting (30d °C), Dough proving (40d C-50d °C), Food warming (60d C-80d °C), Low temperature cooking (80d °C)

EXTERIOR

Exterior Finish	Black glass
Push to open drawer system	yes
Display	LED

SPECIFICATIONS

Power	Cable
Maximum Power Rating (W)	500

DIMENSIONS

PRODUCT

Total height (mm)	139
-------------------	-----

FLUSH

Cut out height (mm)	141
---------------------	-----

Total width (mm)	596
------------------	-----

Cut out width (mm)	560
--------------------	-----

Total depth (mm)	530
------------------	-----

Cut out depth (mm)	550
--------------------	-----

SHIPPING

Shipping Volume (m3)	0.087
----------------------	-------

Shipping Weight (Kg)	16.46
----------------------	-------

Pack dimensions height	220
------------------------	-----

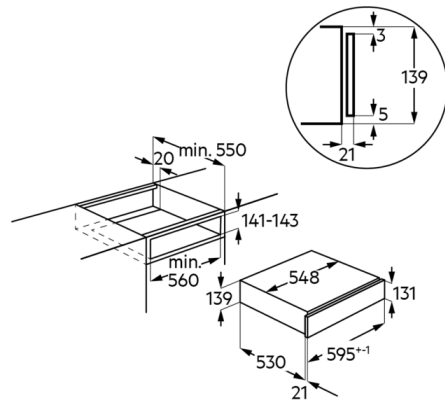
Pack dimension width	610
----------------------	-----

Pack dimension depth	650
----------------------	-----

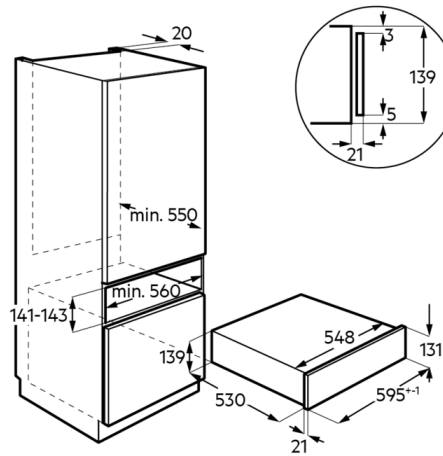
Dimensions

Model:
OD8K11B

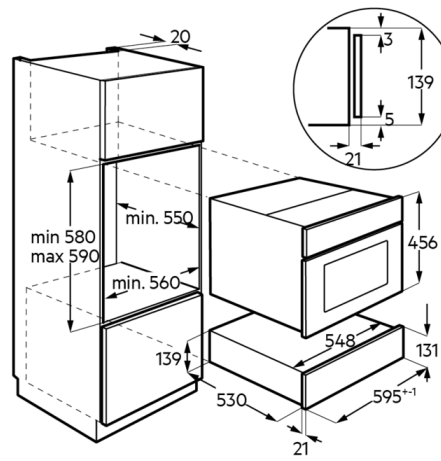
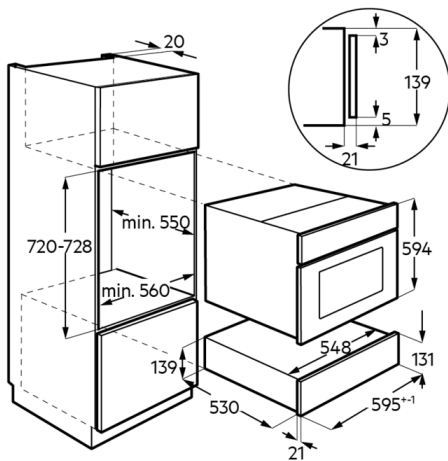
UNDERBENCH



CABINET



CABINET WITH OVEN



Terms and Conditions

IMPORTANT

This is a guide of product dimensions only. For complete installation instructions, refer to the manual provided with product.

PRODUCT INFORMATION

The descriptors and illustrations in this publication apply to the specific products and models described as at the date of issue. Under our policy of continuous product development, product specifications may change without notice. Prospective purchasers should therefore check with their retailer to ensure this publication correctly describes the products that are being offered for sale. All information supplied is to be used for general reference purposes only and is on the understanding that Electrolux Home Products Pty Ltd (Australia) and Electrolux (NZ) Ltd (New Zealand) will not be liable for any loss, liability or damage of whatever kind arising as a result of reliance on such information. Colours of products illustrated are as close as printing limitations allow. Electrolux will at all times comply with its obligations pursuant to law including Trade Practices (Australian Consumer Law) Act and Regulations.

WARRANTY

Electrolux Home Products warrants that for domestic applications the AEG appliances featured are free from defects in materials and workmanship for 5 years (3 months warranty for commercial applications). All warranties are subject to the conditions set out in the warranty card accompanying the product when purchased.

ELECTROLUX HOME PRODUCTS AUSTRALIA

telephone: 1300 363 664

fax: 1800 350 067

email: customercare@aegaustralia.com.au

web: www.aeg.com/au

ELECTROLUX HOME PRODUCTS NEW ZEALAND

telephone: 0800 10 66 10

fax: 09 573 2221

email: customercare@electrolux.co.nz

web: www.aeg.com/au