

**Series 2, Built-in oven, 60 x 60 cm,  
Black  
HBF134EB1A**



**Included accessories**

1 x grill tray  
1 x combination grid  
1 x universal pan

**Optional accessories**

HEZ317000 :  
HEZ327000 : Pizza stone  
HEZ333001 :  
HEZ431002 :  
HEZ438201 : 2 level telescopic shelf rails  
HEZ438301 :  
HEZ625071 : Grill tray, anthracite  
HEZ915003 :

**The built-in oven with 3D hotair: achieve perfect baking and roasting results on up to three levels simultaneously.**

- **3D Hotair:** even heat distribution for perfect results on up to three levels.
- **Red LED display control:** easy-to-use thanks to the time functions.
- **Pop-out controls:** Make the front of the oven easy to clean and give it a sleek look.
- **EcoClean Direct:** almost no cleaning is necessary thanks to a special coating of the rear wall that automatically absorbs grime.
- **Cleaning Assistance:** less cleaning effort thanks to the new cleaning option, which can be especially used for cleaning of light soiling.

**Technical Data**

Gross weight : 34.0 kg  
Built-in / Free-standing : Built-in  
Cleaning : EcoClean program, Hydrolytic  
Required niche size for installation (HxWxD) : 575-597 x 560-568 x 550 mm  
Dimensions (HxWxD) : 595x594x548 mm  
Dimensions of the packed product (HxWxD) : 680 x 655 x 680 mm  
Control Panel Material : metal lacquered  
Door Material : Glass  
Net weight : 31.7 kg  
Usable volume of cavity : 66 l  
Heating functions : Defrost, Full width variable grill, Hot Air, Hot air gentle, Hot Air grilling  
Length electrical supply cord : 150.0 cm  
Interior Lights - cavity 1 : 1  
Telescopic Racking System : Accessory  
Included accessories : 1 x grill tray, 1 x combination grid, 1 x universal pan  
Broil Element Wattages cavity 1 : 2100 W  
Energy efficiency rating : A  
Energy consumption per cycle conventional (2010/30/EC) : 0.98 kWh/cycle  
Energy consumption per cycle forced air convection (2010/30/EC) : 0.79 kWh/cycle  
Energy efficiency index (2010/30/EC) : 95.2 %  
Connection Rating : 2300 W  
Fuse protection : 10 A  
Voltage : 220-240 V  
Frequency : 50 Hz  
Plug type : AU plug  
Energy input : Electric  
Required cutout/niche size for installation (in) : x  
Dimensions of the packed product : 26.77 x 25.78 x 26.77  
Net weight : 70.000 lbs  
Gross weight : 75.000 lbs



## Series 2, Built-in oven, 60 x 60 cm, Black HBF134EB1A

**The built-in oven with 3D hotair: achieve perfect baking and roasting results on up to three levels simultaneously.**

### Dimensions

- Appliance dimensions (HxWxD): 595 mm x 594 mm x 548 mm
- Installation dimensions (HxWxD): 575 mm - 597 mm x 560 mm - 568 mm x 550 mm
- Please reference the built-in dimensions provided in the installation drawing

### Heating Functions

- Oven with 5 heating methods: Defrost, Hotair gentle, 3D Hotair, Hot air grilling, Grill - large area
- Temperature range 50 °C - 270 °C
- Cavity volume: 66 l

### Racks and Rails

- Number of shelf levels: 5
- Telescopic rails available as optional accessory

### Design

- Rotary control knobs, Retractable control knobs
- Cavity inner surface: enamel
- Extra large capacity oven

### Cleaning

- EcoClean Direct: coating of back panel
- Cleaning Assistance (manually)
- Full glass inner door

### Convenience

- LED-display control (red)
- Electronic clock/timer with end time programming
- Automatic start
- Bar handle
- Halogen lighting
- Integrated cooling fan

### Accessories

- 1 x grill tray, 1 x combination grid, 1 x universal pan

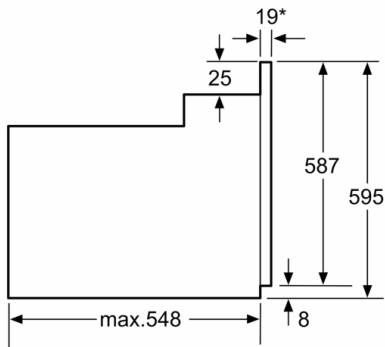
### Safety Features

- Triple glazed door

### Technical Information

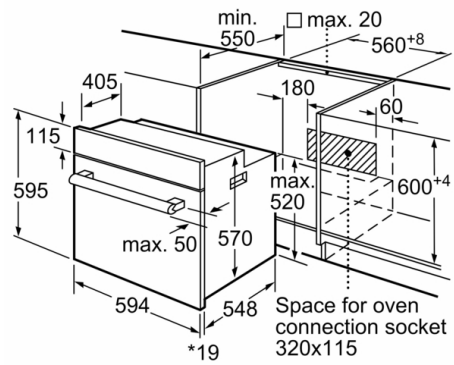
- Length of mains cable: 150 cm
- Nominal voltage: 220 - 240 V
- Total connected load electric: 2.3 KW
- Energy efficiency rating (acc. EU Nr. 65/2014): A (at a range of energy efficiency classes from A+++ to D)  
Energy consumption per cycle in conventional mode: 0.98 kWh  
Energy consumption per cycle in fan-forced convection mode: 0.79 kWh  
Number of cavities: 1 Heat source: electrical Cavity volume: 66 l

**Series 2, Built-in oven, 60 x 60 cm, Black  
HBF134EB1A**



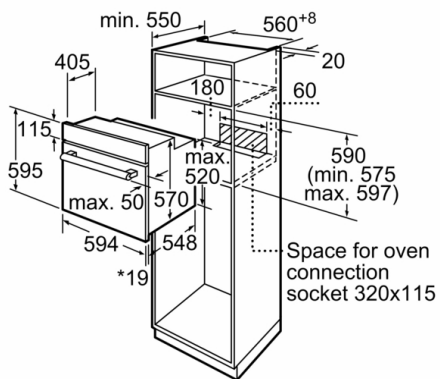
\* 20 mm for metal fascias

Dimensions in mm



\* 20 mm for metal fascias

measurements in mm



\* 20 mm for metal fascias

measurements in mm