

**Serie | 2, Built-in oven, 60 x 60 cm,
Black
HBF134EB0A**



Included accessories

1 x grill tray
1 x combination grid
1 x universal pan

Optional accessories

HEZ327000 : Pizza stone
HEZ625071 : Grill tray, anthracite enamelled

The built-in 10amp Plug&Play oven for easy installation - simply plug into a powerpoint and start cooking.

- **EcoClean Direct:** almost no cleaning is necessary thanks to a special coating of the rear wall that automatically absorbs grime.
- **Red LED display control:** easy-to-use thanks to the time functions.
- **Pop-out controls:** Make the front of the oven easy to clean and give it a sleek look.

Technical Data

Color / Material Front : Black
Built-in / Free-standing : Built-in
Door opening : Drop down
Cleaning : catalytic partial
Control Panel Material : metal lacquered
Door Material : Glass
Dimensions (HxWxD) : 595 x 594 x 548 mm
Dimensions of the packed product (HxWxD) : 663 x 679 x 650 mm
Required niche size for installation (HxWxD) : 575-597 x 560-568 x 550 mm
Usable volume of cavity : 66 l
Number of interior lights : 1
Net weight : 32.2 kg
Gross weight : 34.4 kg
EAN code : 4242005202157
Connection Rating : 2300 W
Fuse protection : 10 A
Voltage : 220-240 V
Frequency : 50 Hz
Length electrical supply cord : 150 cm



Serie | 2, Built-in oven, 60 x 60 cm, Black HBF134EB0A

The built-in 10amp Plug&Play oven for easy installation - simply plug into a powerpoint and start cooking.

Heating Functions

- Oven with 5 heating methods:
 - Defrost
 - Hotair gentle
 - 3D Hotair
 - Hot air grilling
 - Grill - large area
- Temperature range 50 °C - 270 °C
- Cavity volume: 66 l

Hook-in racks / rails

- Number of shelf levels: 5 PC
- Telescopic rails: Available as an additional accessory

Design

- Rotary control knobs, Retractable control knobs
- Extra large capacity oven with grey enamel

Cleaning

- EcoClean Direct : back panel
- Full glass inner door

Convenience

- LED-display control (red)
- Electronic clock/timer with end time programming
- Automatic start
- Bar handle
- Halogen lighting
- Cooling fan

Accessories

- 1 x combination grid, 1 x grill tray, 1 x universal pan

Safety and Environment

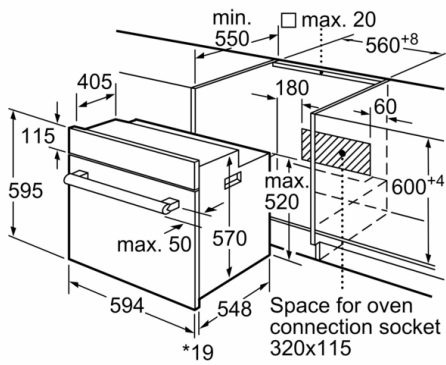
Technical Info

- Length of mains cable: 150 cm
- Nominal voltage: 220 - 240 V
- Total connected load electric: 2.3 KW

Dimensions

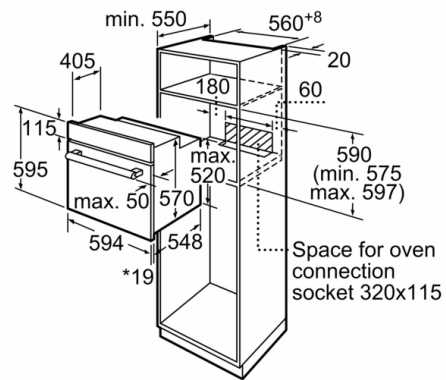
- Appliance dimensions (HxWxD): 595 mm x 594 mm x 548 mm
- Installation dimensions (HxWxD): 575 mm - 597 mm x 560 mm - 568 mm x 550 mm
- Please reference the built-in dimensions provided in the installation drawing

**Serie | 2, Built-in oven, 60 x 60 cm, Black
HBF134EB0A**



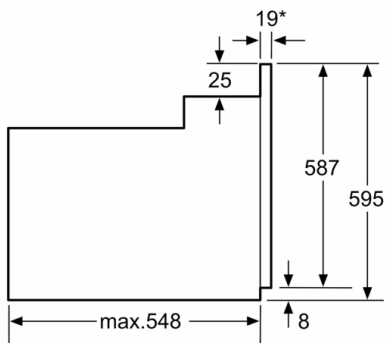
* 20 mm for metal fascias

measurements in mm



* 20 mm for metal fascias

measurements in mm



* 20 mm for metal fascias

Dimensions in mm