

60cm stainless steel gas freestanding oven with separate gas grill, gas oven with fan, 120 minute timer with ringer, 4 burner gas cooktop with 14.2 mj/hr wok burner and cast iron trivets. LP conversion kit included.

RRP AUS \$2,499.00



Product Details

FEATURES

Fan gas oven

Handy separate grilling compartment

Easy clean formed shelf supports

2 hour mechanical timer

High powered 14MJ/h wok burner

Durable cast trivets

Triple ring wok burner

Electronic ignition

Gas cooktop

FamilySafe Flame Failure Device
Stops the gas supply if the flame is extinguished.

BENEFITS

Grill separately for smooth entertaining

The separate grilling compartment on selected models means you can entertain guests and cook big family meals with absolute ease and without compromising on precious oven space.

Set for 2 hours and it will ring

The mechanical timer keeps track of your cooking time for 2 hours with a ringer to let you know you are ready to restart the timer or finish your dish.

Clean your shelf supports with ease

When it comes to cleaning your oven we want it to be fuss free, given the design of our shelf supports you can clean the sides of your oven with ease as there are no racks to be removed.

Bring out the flavour with high heat

Whip up tasty stir-fries and more with our high-powered wok burner. You'll get the high heat you need with 14 MJ/h of power at its highest setting.

Family safety first

Our cast iron trivets flat design ensure the base of your pots and pans are fully supported, allowing you to have a safe and stable cooking environment.

Built in Australia

Westinghouse, has been the heart of the home for generations and the kitchen appliance brand we have always known and trusted to build reliable products. This oven is built in a local factory in Adelaide.

Specifications

PRODUCT PROFILE

Domestic warranty details (yrs)	2
Oven fuel	gas
Materials/Colour	stainless steel
Controls of Oven	control knob
Cooling fan	No
Plinth colour (kickboard)	stainless steel
Anti tilt plate	Yes
Front/rear controls	front

MAIN OVEN

Gross capacity litres	80
Useable capacity litres	74
Oven function	Fan Bake
Cleaning	easy clean door

DIMENSIONS

PRODUCT DIMENSION

Total height (mm)	970
Total width (mm)	596
Total depth (mm)	630

SECOND OVEN OR GRILL

Shelf support	slides
Telescopic runners	one

MAIN OVEN

Oven liner	enamel
------------	--------

Timer functions	Ringer
-----------------	--------

Lights	1
--------	---

Light wattage	25
---------------	----

Light position	rear
----------------	------

Layers of glass in door	2
-------------------------	---

Shelf support	easy clean formed shelf supports
---------------	----------------------------------

Number of shelves	2
-------------------	---

Number of shelf positions	5
---------------------------	---

Safety features	flame failure safety device
-----------------	-----------------------------

Closed door grilling	No
----------------------	----

Fold down grill element	No
-------------------------	----

ELECTRICAL CONNECTION

Connected load KW	0.045
-------------------	-------

Type of connection	10A plug & lead
--------------------	-----------------

GAS SPECIFICATIONS

Maximum gas rating (NG)	11.8
-------------------------	------

SHIPPING

Shipping Volume (m3)	0.473
----------------------	-------

Shipping Weight (Kg)	54
----------------------	----

Pack Dimensions Height (mm)	1025
-----------------------------	------

Pack Dimension Width (mm)	635
---------------------------	-----

Pack Dimension Depth (mm)	726
---------------------------	-----

COOKTOP (IF APPLICABLE)

PRODUCT PROFILE

Cook top type	gas
---------------	-----

Materials/Colour	stainless steel
------------------	-----------------

Trim finish	stainless steel
-------------	-----------------

Removable trim (for cleaning)	No
-------------------------------	----

Wok included designed to fit cooktop	No
--------------------------------------	----

Knob finish	silver
-------------	--------

STUFFING QUANTITIES

40ft	96
------	----

40ft HC	120
---------	-----

ELEMENTS/BURNERS

Cooking zones	4
---------------	---

LEFT REAR ZONE

Left rear zone	semi-rapid
----------------	------------

CONTROLS

Position of controls	front
----------------------	-------

FEATURES

Trivets	cast iron
---------	-----------

Ignition type	electronic
---------------	------------

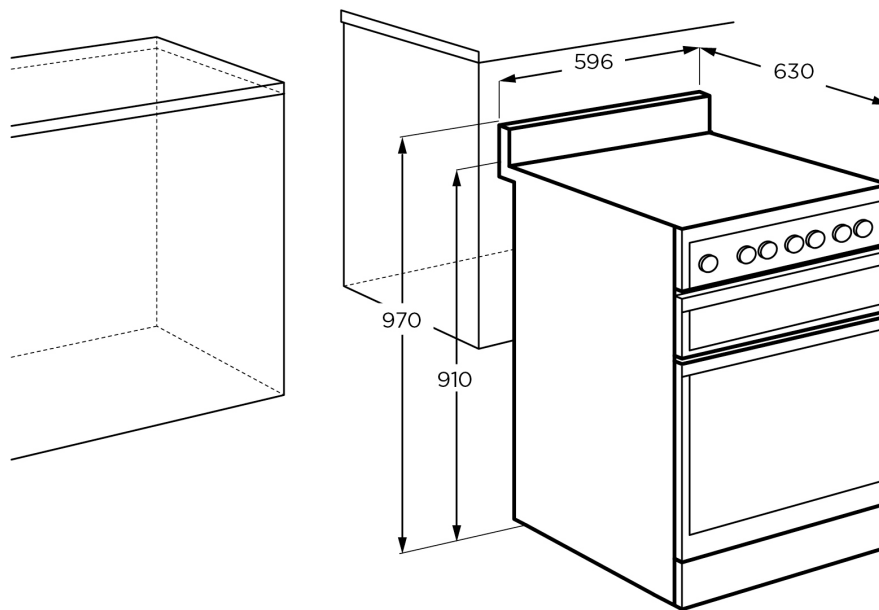
GAS SPECIFICATIONS

Maximum gas rating (NG)	64.1
-------------------------	------

Dimensions

60cm Front Control Freestanding Cooker, Separate Grill

WFG612SCH, WFG612WCH, WFE642SC



IMPORTANT

These dimensions are a guide only. All measurements are in millimetres (mm).
For complete installation instructions, refer to the manual provided with product.

Terms and Conditions

IMPORTANT

This is a guide of product dimensions only. For complete installation instructions, refer to the manual provided with product.

PRODUCT INFORMATION

The descriptors and illustrations in this publication apply to the specific products and models described as at the date of issue. Under our policy of continuous product development, product specifications may change without notice. Prospective purchasers should therefore check with their retailer to ensure this publication correctly describes the products that are being offered for sale. All information supplied is to be used for general reference purposes only and is on the understanding that Electrolux Home Products Pty Ltd (Australia) and Electrolux (NZ) Ltd (New Zealand) will not be liable for any loss, liability or damage of whatever kind arising as a result of reliance on such information. Colours of products illustrated are as close as printing limitations allow. Electrolux will at all times comply with its obligations pursuant to law including Trade Practices (Australian Consumer Law) Act and Regulations.

WARRANTY

This warranty only applies to Appliances purchased and used in Australia or New Zealand and used in normal domestic applications and is in addition to (and does not exclude, restrict, or modify in any way) any non-excludable statutory warranties in Australia or New Zealand. All warranties are subject to the conditions set out in the warranty card accompanying the product when purchased.

ELECTROLUX HOME PRODUCTS AUSTRALIA

telephone: 1300 363 640

fax: 1800 350 067

email: customercare@electrolux.com.au

web: www.electrolux.com.au

ELECTROLUX HOME PRODUCTS NEW ZEALAND

telephone: 09 573 2230

fax: 09 573 2221

email: customercare@electrolux.co.nz

web: www.electrolux.co.nz