

OPERATING INSTRUCTIONS

Gas Hob

EN

HG1666AD - HG6CDE1C

HG1666SD - HG6CDE1C

HG1776AD - HG7BDE1C

HG1776SD - HG7BDE1C


HG1986AD - HG9CDE1C

HG1986SD - HG9CDE1C


Contents

Pictograms used	3	Maintenance	13
Safety	4	Daily cleaning	13
.....	4	Faults	14
Description	9	Troubleshooting table	14
Use	10	Installation	15
Pans	10	Safety	15
Wok ring and small pan grid	10	Preparations for installation	18
Pan support	10	Built-in	20
Burner	11	Gas connection	22
Wok burner	11	Connecting & testing	23
Operation	12	Environment	24
Ignition and adjustment	12	Environment	24
		Your notes	25


The following symbols are used throughout the manual and they have the following meanings:

 INFORMATION!


Information, advice, tip, or recommendation

 WARNING!

Warning – general danger

 GAS CONNECTION!

Warning – gas connection

 ELECTRIC SHOCK!

Warning – danger of electric shock


 HOT SURFACE!

Warning – danger of hot surface

 DANGER OF FIRE!

Warning – danger of fire

It is important that you carefully read the instructions.


 WARNING!

READ CAREFULLY AND KEEP FOR FUTURE REFERENCE!


General

The manufacturer cannot be held liable for any damage resulting from failure to follow the safety instructions and warnings.

Damage caused by incorrect connection, incorrect fitting, or incorrect use is not covered by the warranty.

 WARNING!

This appliance and the accessible parts will become hot during use. Do not touch hot parts. Keep children younger than 8 away from the appliance unless they are under continuous supervision.

 DANGER OF FIRE!

WARNING: Danger of fire: do not store items on the cooking surfaces.


NOTE!

CAUTION! The cooking process has to be supervised. A short term cooking process has to be supervised continuously.

 DANGER OF FIRE!

WARNING: Cooking with fat or oil on a hob without supervision can be dangerous and can lead to a fire.

- NEVER try to extinguish a fire with water. Instead, switch the appliance off and then cover the flames with for example a lid or a fire blanket.
- Never flambé under a cooker hood. The high flames can cause a fire, even if the cooker hood is switched off.

 **WARNING!**

Use only hob guards designed by the manufacturer of the cooking appliance or indicated by the appliance manufacturer in the instructions for use as suitable or hob guards incorporated in the appliance. The use of inappropriate guards can cause accidents.

- If a drawer underneath the appliance is permitted (see the installation instructions), without an intermediate bottom, this should not be used to store highly flammable objects/materials. Ensure that there is adequate clearance of a few centimetres between the bottom of the hob and the contents of any drawers.
- Do not use or store flammable materials in the appliance storage drawer or near this appliance.
- The hob is only to be used for the preparation of food.
- Do not use this appliance as a space heater.
- Do not warm closed tins on the hob. There will be a build-up of pressure that will cause tins to explode. You might get injured or scalded.
- Never cover the appliance with a cloth or something similar. If the appliance is still hot or is switched on, there is a risk of fire.
- Do not use the appliance as a worktop. The appliance may accidentally be switched on or still be hot, which means objects could melt, become hot or catch fire.
- Do not use the appliance in temperatures below 5 °C.
- The appliance should not be placed or used outdoors.
- When you use the hob for the first time you will notice a “new smell”. Don’t worry, this is normal. If the kitchen is well ventilated, the smell will soon disappear.
- The appliance is not intended to be operated by means of an external timer or separate remote control system.
- Never open the casing of the appliance.
- Never use a pressure cleaner or steam cleaner to clean the hob.
- Do not modify this appliance.

Safety

- Do not spray aerosols in the vicinity of this appliance while it is in operation.
- The ceramic top is extremely strong, but not unbreakable. For example, a spice jar or sharp utensil falling on it could cause it to break.

WARNING!


Ceramic glass plate broken

- Shut immediately off all burners and any electrical heating element and isolate the appliance from the power supply.
- Do not touch the appliance surface.
- Do not use the appliance.

WARNING!

The appliance is not intended for use by persons (including children) with reduced physical, sensory or mental capabilities, or lack of experience and knowledge unless they have been given supervision or instruction concerning use of the appliance by a person responsible for their safety.

- Children shall not play with the appliance.
- Do not allow children to clean or maintain the appliance unless supervised.
- Do not keep objects that children might find interesting in cupboards above or behind the appliance.
- The cooking zones/burners heat up during use and stay hot for a while afterwards. Keep young children away from the hob during and immediately after cooking.

 **WARNING!**

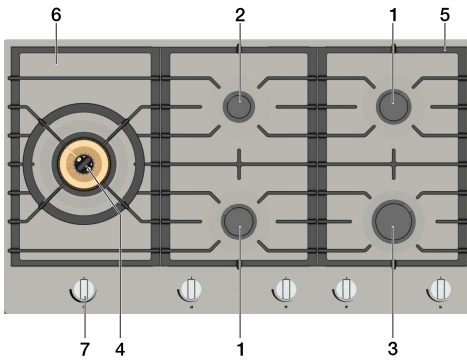
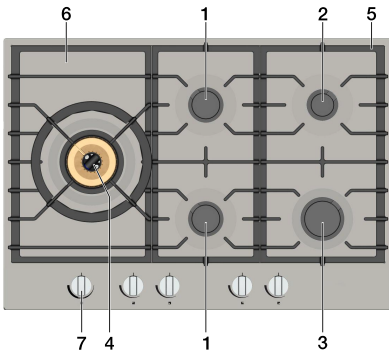
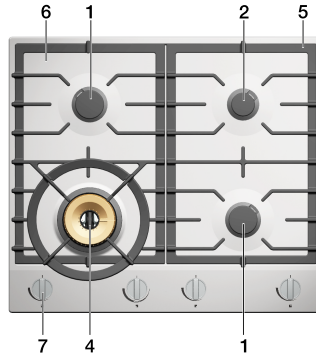
Prolonged intensive use of the appliance may call for additional ventilation, for example opening of a window, or more effective ventilation, for example increasing the level of mechanical ventilation where present.

- The burner components are hot during and immediately after use. Do not touch them, and avoid contact with non-heat resistant materials.
- Never immerse hot burner caps and pan supports in cold water. The rapid cooling can damage the enamel.
- The distance between the pan and a knob or non-heat resistant wall should always be greater than one centimetre. In case of smaller distances, the high temperature may cause the knobs or wall to discolour and/or deform.
- Always use the pan supports and suitable cookware.
- Always place the pan on the pan support. Placing the pan directly on the burner cap can result in dangerous situations.
- Aluminium trays or foil are not suitable as cooking utensils. They can burn into the burner caps and pan supports.
- The hob can only function effectively if the burner components have been assembled using the guide ridges. Ensure that the pan supports lie properly against each other and flat on the drip tray. Only then can the pans be positioned stably.
- Keep oven gloves or oven cloths away from the flame.
- Do not use griddle plates or baking plates.
- Do not use large pots or heavy weights which can bend the pan support or deflect flame onto the hotplate.
- Locate pan centrally over the burner so that it is stable and does not overhang the appliance.
- Clean the burner parts regularly for safe and correct operation of the burners.

Safety

- Missing rubber feet from the pan supports can cause scratches on the drip tray or poor combustion of the burner. If the rubber feet are missing, please contact our service department.

1. Semi-rapid burner
2. Simmer burner
3. Rapid burner
4. Wok burner
5. Pan support
6. Drip tray
7. Control knob



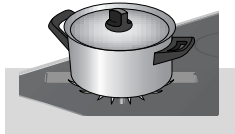
Use

Pans



wrong

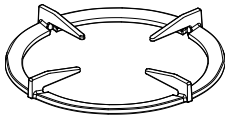
Always ensure that the flames remain under the pan. A lot of energy is lost when flames burn around the outside of the pan. The handles could also become too hot.



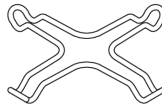
right

Do not use pans with a base diameter smaller than 12 cm. Smaller pans are not as stable.

Wok ring and small pan grid



Wok ring



small pan grid

The wok ring for use with the wok burner supplied or obtainable as an accessory provides extra stability for woks with a round base.

The small pan grid-supplied or obtainable as an accessory makes it possible to use very small pans.

CAUTION!

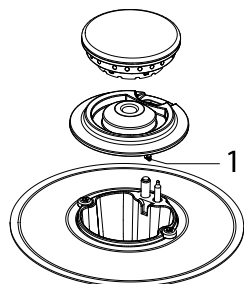
Do not use the small pan grid on the wok burner.

Only use the wok ring on the wok stand in combination with a (round-based) wok. The wok ring may discolour if used on the searing setting.

Pan support

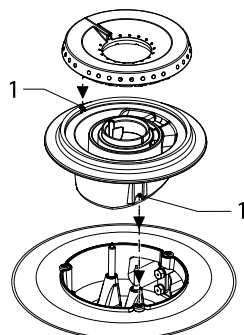
Place the pan support vertically, without sliding it over the glass top. Use the positioning notches to position the pan support on the glass top.

Burner



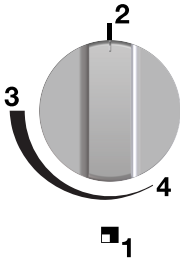
Use the leads (1) to put together the burner parts.

Wok burner



Place the wok burner in the correct way. Placing the wok burner parts incorrectly can result in a poorly functioning burner.

Ignition and adjustment

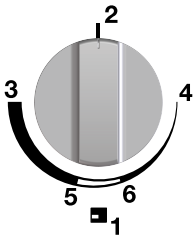


Standard burner

1. Zone indication
2. 0 position
3. High setting
4. Low setting

The burner is fully adjustable between high and low settings.

1. Press the control knob and turn it anticlockwise. The burner will ignite.
2. Keep the control knob fully depressed for at least 3 seconds between high and low settings. The thermocouple safety pilot has been activated.



Wok burner with double regulator

1. Zone indication
2. 0 position
3. High setting
4. Inner ring low setting
5. Outer ring low setting / inner ring high setting
6. Outer ring off / inner ring high setting

- The wok burner with a double regulator is easy to control.
- The outer ring can be adjusted between high setting and low setting between positions 3 and 5. The inner ring will then continue to burn on high setting.

Daily cleaning

Regular maintenance after use prevents spilt food from setting too long and creating stubborn stains. Use a mild detergent for this.

First clean the control knobs, burners and pan support and only then the drip tray or glass cover. This prevents the drip tray or glass cover to becoming dirty again after cleaning.

NOTE!

- Burner parts should not be cleaned in the dishwasher.
- Dishwasher detergents can corrode burner parts!

Stubborn stains

Persistent stains can best be removed with a fluid detergent or a plastic scouring sponge. Never use scouring powder, scouring pads, sharp objects or aggressive cleaning products.

Persistent stains on the glass cover

Clean the glass cover with a special cleaning product for ceramic hobs. Water stains or limescale are best cleaned using cleaning vinegar.

NOTE!

- Never use abrasives. These leave scratches in which dirt and limescale can accumulate.
- Never use anything sharp such as steel wool or scourers.

Persistent stains on the stainless steel (drip trays)

Persistent stains on stainless steel are best removed with a special stainless steel cleaning product. Always wipe with the structure of the steel to prevent scraping away the protective layer (damage caused in this way does not fall under the guarantee!) The surface of stainless steel drip trays can discolour slightly over time.

Brass wok burner parts

Some wok burner parts are made of brass. It is not unusual to see a change in the colour of the brass as a result of the high temperatures involved in wok use.

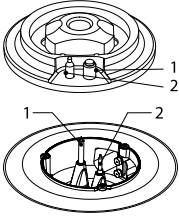
TIP!

Consult the website for additional maintenance and cleaning instructions!

Faults

Troubleshooting table

If your hob does not work properly, it does not always mean that it is defective. Make sure to check the points mentioned below in the table, or visit our website for more information.

Symptom	Possible cause	Solution
There is a smell of gas near the appliance.	The appliance connection is leaking.	Turn off the main gas supply valve. Contact your installer.
The burner does not ignite. 	The electrical connection is not correct.	Contact your installer.
	Fuse defective/fuse switched off in fuse cupboard.	Replace the fuse or switch on the fuse again in the fuse box.
	Spark plug (1) dirty/damp.	Clean/dry the spark plug.
	Burner parts not placed correctly.	Use the centring notches to put the burner parts together.
	Burner parts dirty/damp.	Clean/dry the burner parts. Make sure that the outflow holes are open.
	Main gas supply valve closed.	Open the main gas valve.
	Fault in gas mains.	Consult you gas supplier.
	Gas bottle or tank is empty.	Connect a new gas bottle or have the tank refilled.
	The wrong type of gas used.	Check whether the gas used is suitable for the appliance. Contact your installer if it is not correct.
The burner does not burn evenly.	Burner parts not placed correctly.	Use the centring notches to put the burner parts together.
	Burner parts dirty/damp.	Clean/dry the burner parts. Make sure that the outflow holes are open.
	The wrong type of gas used.	Check whether the gas used is suitable for the appliance. Contact your installer if it is not correct.
Burner extinguishes after igniting.	The control knob has not been depressed long or deep enough (at least 3 seconds).	Keep the control knob fully depressed for at least 3 seconds between high and low settings. This can take longer the first time because of the gas supply.
	Thermocouple (2) is dirty.	Clean/dry the thermocouple.

Safety

- Installation, maintenance or repairs should only be carried out by professionals who are authorized by the manufacturer, as failure to do so will void the warranty.
- Prior to installation, ensure that the local distribution conditions (voltage, frequency, nature of the gas and gas pressure) and the adjustment of the appliance are compatible.
- The voltage, frequency, power, type of gas and the country for which the appliance has been designed are shown on the appliance rating plate.
- The walls and the worktop surrounding the appliance must be heat resistant up to at least 105 °C.
- Duplicate rating plates should be attached to an adjacent surface, such as a cupboard door.
- The appliance is not suitable for installation and operation with aftermarket lids or covers fitted.
- Please contact the service department if installation or operational faults occur during installation.
- The worktop into which the hob is fitted should be flat.

Electrical connection

- This appliance must be earthed.
- The electrical connection must comply with national and local regulations.
- The wall plug socket and plug should always be accessible.
- If a stationary appliance is not fitted with a supply cord and a plug, or with other means for disconnection from the supply mains having a contact separation in all poles that provide full disconnection under overvoltage category III conditions, the means for disconnection must be incorporated in the fixed wiring in accordance with the wiring rules. Using an omnipolar switch with a contact separation of at least 3 mm fitted in the supply cable will fulfil this requirement.
- The connection cable must hang freely and should not be fed through a drawer.

Installation

- Do not use an adapter or an extension lead to connect the device to the electrical mains. Safe use of the device cannot be guaranteed with these accessories.
- Use a (flexible) cable that is flame retardant made from PVC suitable for 300/500V in a 0...70 °C environment.

Gas connection

- Gas connection 1/2" ISO 228 / ISO 7-1
- The gas connection must comply with national and local regulations. See appliance label for technical gas data.
- This appliance is not connected to a combustion products evacuation device. It shall be installed and connected in accordance with current installation regulations. Particular attention shall be given to the relevant requirements regarding ventilation.
- We recommend that the gas hob be connected by means of a fixed pipe. Connection using a specially designed safety hose is also permitted.
- A safety hose may not be bent and must not come into contact with moving parts of kitchen units.
- The connection point for the appliance must always be placed in an easily accessible position.
- When the appliance is connected with a hose assembly, the supply point shall be accessible with the appliance installed.
- The hotplate can be connected with rigid pipe as specified in AS/NZS5601 - current edition.
- The hotplate can be connected with a Flexible Hose, which complies with AS/NZS 1869, 10 mm ID, class B or D, no more than 1.2 m long and in accordance with AS/NZS5601 - current edition. Ensure that the Hose does not contact the hot surfaces of the hotplate, oven, dishwasher or other appliance that may be installed underneath or next to the hotplate.

Service

- Faulty parts may only be replaced by original parts. The manufacturer can only guarantee that original parts meet safety requirements.
- If the supply cord is damaged, it must be replaced by the manufacturer, its service agent or similarly qualified persons in order to avoid a hazard.
- The device should be disconnected from the mains prior to maintenance or repairs.
- The device is only disconnected from the electric power if:
 - the main switch of the electrical wiring/installation in the house is switched off,
 - or the fuse for the electrical wiring/installation in the house has been completely removed,
 - or the plug has been pulled out of the socket.

It is recommended the hotplate be checked and serviced by an authorized person every 2 years. This is not covered by warranty.

For New Zealand

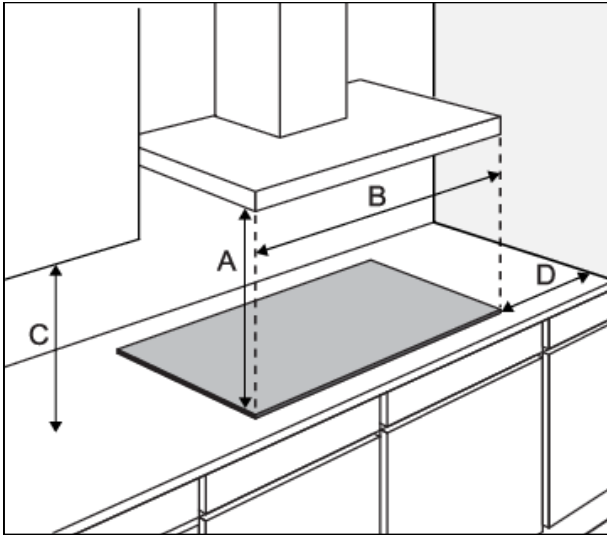
If the cooking range is not provided with a supply cord fitted with a plug or an installation male connector and if this appliance is to be connected to a new or upgraded electrical installation, then it must be connected to the supply by a supply cord fitted with:

- an appropriately rated plug that is compatible with the socket-outlet fitted to the final sub circuit in the fixed wiring that supplies this appliance.
- or an appropriately rated installation male connector that is compatible with the installation female connector fitted to the final sub-circuit in the fixed wiring that supplies this appliance.

Installation

Preparations for installation

Free space around the appliance



CAUTION!

Rangehoods and exhaust fans shall be installed in accordance with manufacturer's instructions. For an overhead exhaust fan $A > 750$ mm!

	A (mm)	B (mm)	C (mm)	D (mm)
HG16	min. 650	min. 600	min. 450	min. 120
HG17	min. 650	min. 750	min. 450	min. 120
HG19	min. 650	min. 900	min. 450	min. 120

Ventilation

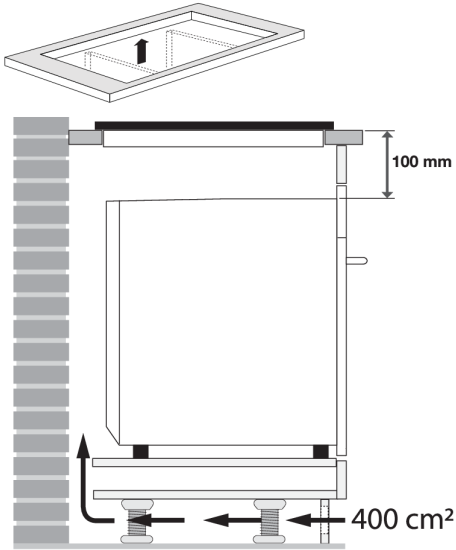
CAUTION!

Prevent ventilation interference if an oven is installed underneath the gas hob.

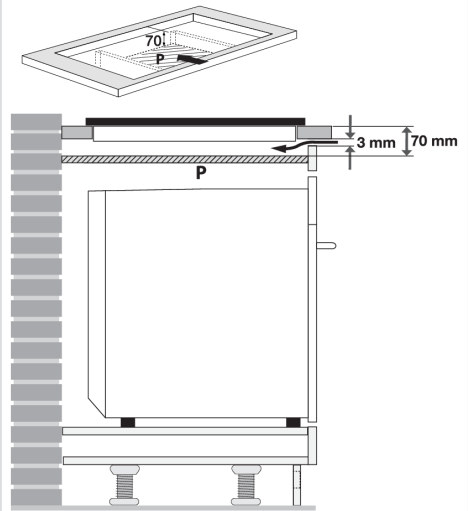
Make sure there is sufficient air supply (option 1) **or** separate air ventilation between the oven and hob by applying an air shield 'P' (option 2).

Also consult the installation instruction of the oven.

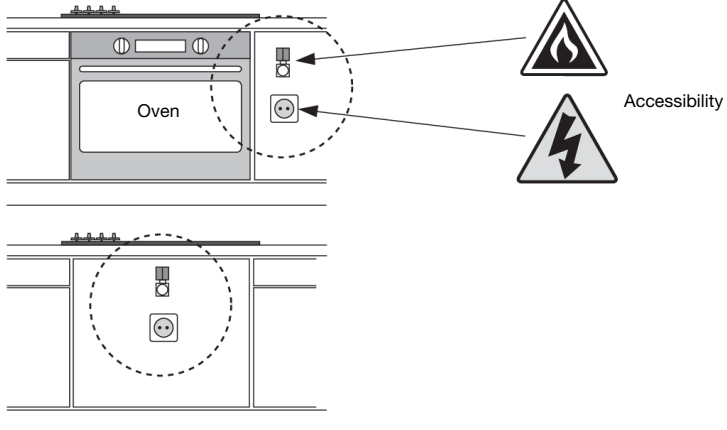
Option 1



Option 2



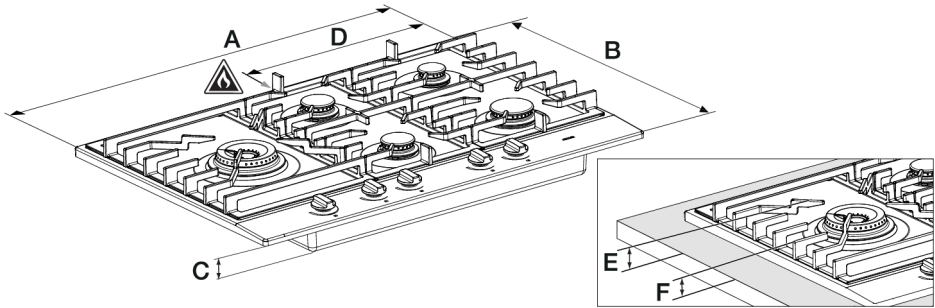
Accessibility



Installation

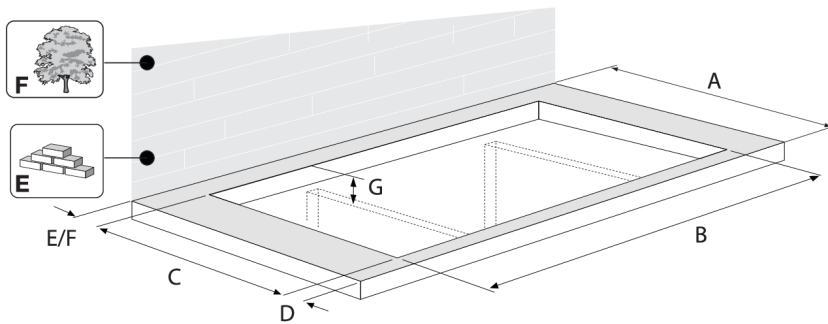
Built-in

Appliance dimensions



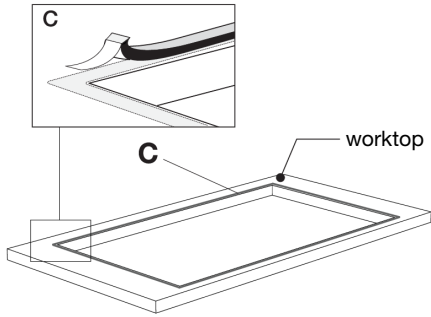
	A (mm)	B (mm)	C (mm)	D (mm)	E (mm)	F (mm)
HG16	600	526	48	520	61	43
HG17	750	526	48	594	65	47
HG19	900	526	48	514	61	43

Cut-out in the worktop

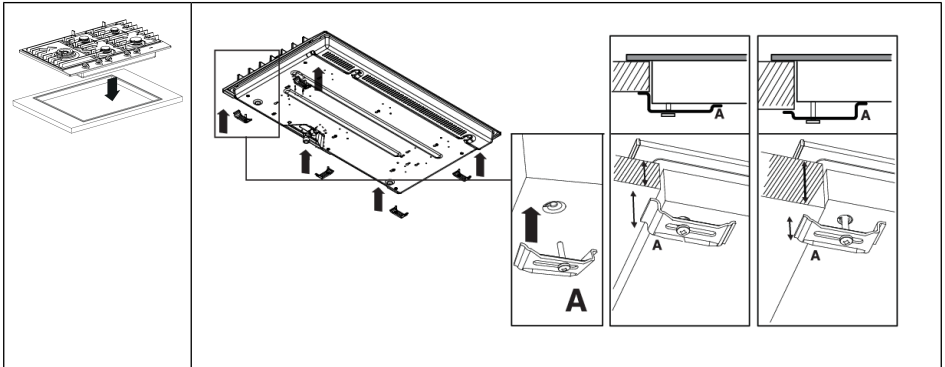


	A (mm)	B (mm)	C (mm)	D (mm)	E (>mm)	F (>mm)	G (mm)
HG16/HG17	600	560	490	60	30	50	55
HG19	600	860	490	60	30	50	55

Sealing tape

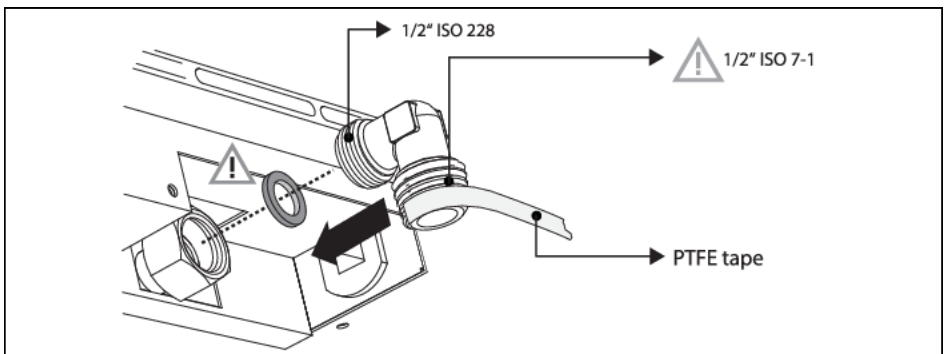
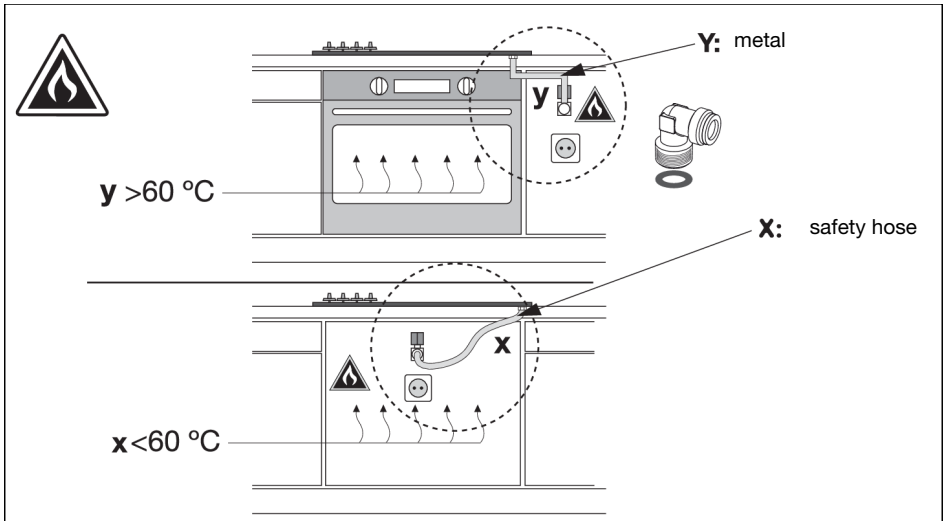


Install the appliance in the worktop



Installation

Gas connection



	Simmer	Normal	Large	Wok
HG16	1	2	-	1
HG17/HG19	1	2	1	1

Gas	Burner	Injector burner (mm)	Adj. screw (mm)	Burner rate (MJ/h)	Gas pressure (kPa)
Natural gas (NG)	Simmer	0.90	0.45	3.90	1.0
	Normal	1.17	0.60	6.50	
	Large	1.31	0.65	8.50	
	Wok	1.70 + 0.65	0.60	16.70	

Table continued from last page

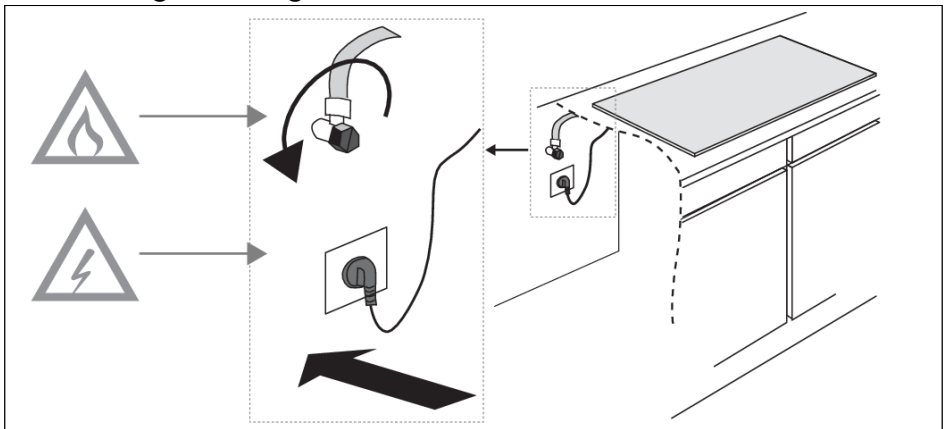
Gas	Burner	Injector burner (mm)	Adj. screw (mm)	Burner rate (MJ/h)	Gas pressure (kPa)
ULPG	Simmer	0.46	0.26	2.60	2.75
	Normal	0.60	0.30	5.10	
	Large	0.72	0.36	6.80	
	Wok	0.93 + 0.40	0.40	13.50	

The hotplate can be connected with rigid pipe as specified in AS/NZS 5601.1 current edition.

Fitting of appliance regulator for Natural gas or test point adaptor for LPG.

Check and set the gas pressure with appliance operating!

Connecting & testing



⚠ WARNING!

Check if connections are gastight.

Environment

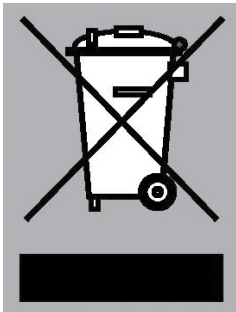
Disposal of the appliance and packaging

Sustainable materials have been used during manufacture of this appliance. This appliance must be disposed of responsibly at the end of its service life. Ask your local authorities for more information about how to do this.

The appliance packaging is recyclable. The following may have been used:

- cardboard;
- polyethylene film (PE);
- CFC-free polystyrene (PS rigid foam).

Dispose of these materials in a responsible manner and in accordance with government regulations.



The product has been marked with a crossed-out dustbin symbol to remind you of the obligation to dispose of electrical household appliances separately. This means that the appliance may not be included with normal domestic refuse at the end of its service life. The appliance must be taken to a special municipal centre for separated waste collection or to a dealer providing this service.

Separate collection of household appliances helps to prevent any potential negative impact on the environment and on human health caused by improper disposal. It ensures that the materials of which the appliance is composed can be recovered to obtain significant savings in energy and raw materials.

NOTE!

Please note! Do not throw a broken ceramic glass plate in the glass recycling bin but take this to the Municipality's waste recycling centre.



Declaration of conformity

We hereby declare that our products satisfy the applicable European directives, orders and regulations, as well as the requirements stated in the referenced standards.

The appliance identification card is located on the bottom of the appliance.

Stick the appliance identification card here.

 **ASKO**

Inspired by Scandinavia

www.asko.com



856556-a5

CE

We reserve the right to make changes.