

PX364LMBAU 60CM CLASSIC GAS COOKTOP



EAN 8017709321642

Dimensions	600mm x 510mmD x 40mmH
Finish	Matte Black
Installation	Topmount
Capacity	4 burner Left (wok) 13 mj/hr Front centre 5 mj/hr Rear centre 6.5 mj/hr Right 10 mj/hr
Ignition	Automatic electronic
Gas Connection	Set for natural gas — regulator supplied Adaptable for ULPG — no regulator required
Power	220-240 V 50/60Hz 10A
Safety	Flame failure device
Supplied Accessories	1 x set of cast iron trivets
Warranty	Two years parts and labour

SPACIOUS DESIGN

When space is not restrictive, this spacious 60cm hob offers four burners ergonomically positioned for maximum benefit with the possibility of several styles of cooking at the one time.

ULTRA-RAPID BURNER

This large and versatile burner suits the larger stock pots, boilers, saucepans and griddles.

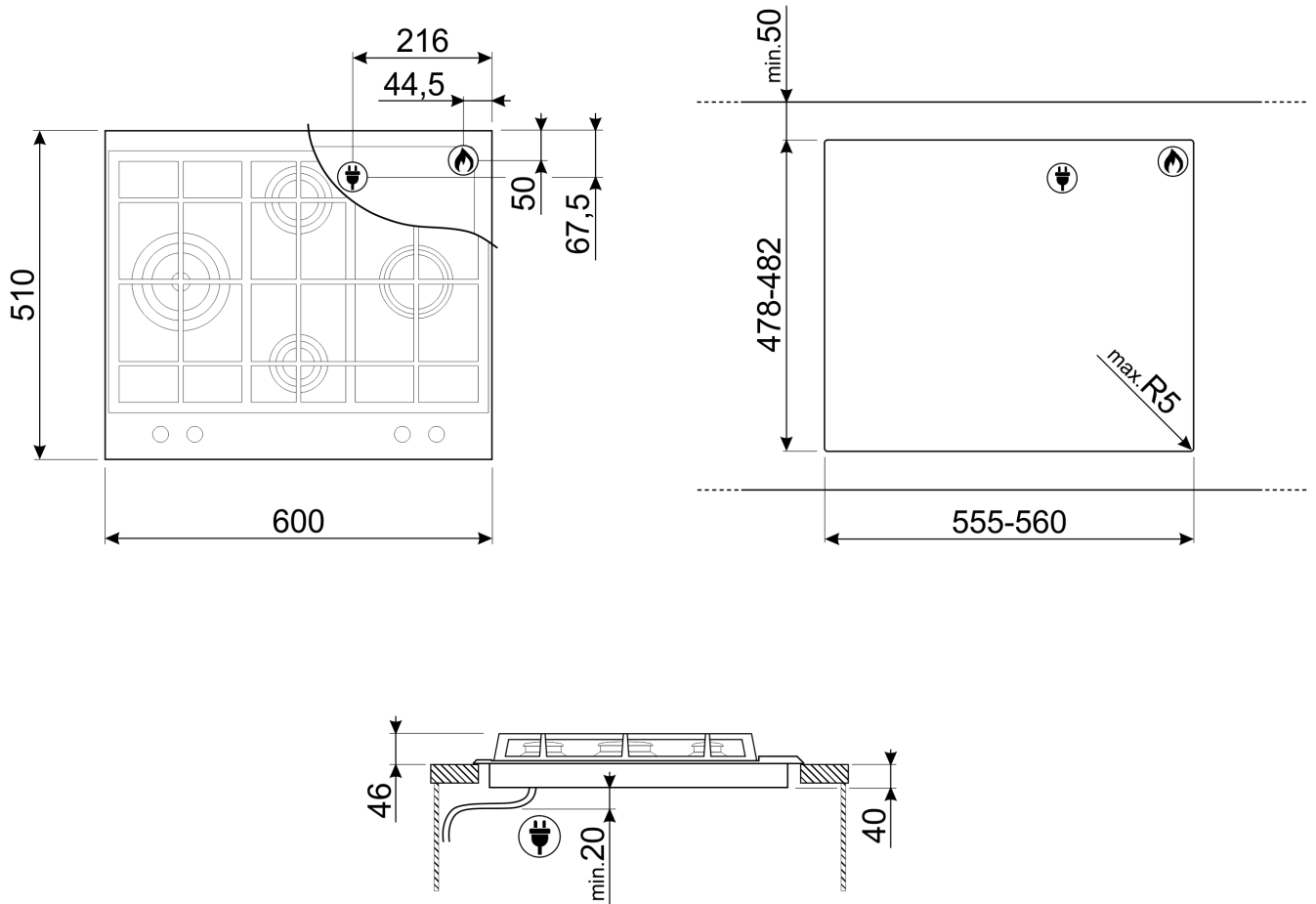
ELECTRONIC IGNITION

The cooktop is connected with a power cord of 1.3 metre length to be plugged into a GPO located according to installation needs below the benchline. This supplies a continuous stored charge to spark the gas supply to the individual burner of your choice.

FLAME FAILURE DEVICE

A flame failure device is fitted to all five burners. The FFD ensures that should a flame be extinguished accidentally, the gas supply to the specific burner(s) is stopped. For absolute safety, the burner(s) can only be reignited by physically resetting the control knob(s) to the OFF position and then following normal ignition procedure. Simply depress and turn the control of the desired cooking zone for almost instant flame ignition.

PX364LMBAU
60CM CLASSIC GAS COOKTOP



PLEASE NOTE: drawings are not to scale. They are to assist only.
WARNING: technical specifications and product sizes can be varied by the manufacturer without notice.
Cutouts for appliances should only be by physical product measurements. The above information is indicative only.