

Miele

Operating and installation instructions







Wine conditioning unit KWT 6831 SG

To avoid the risk of accidents or damage to the appliance it is **essential** to read these instructions before it is installed and used for the first time.


en - GB, HK

M.-Nr. 09 476 230

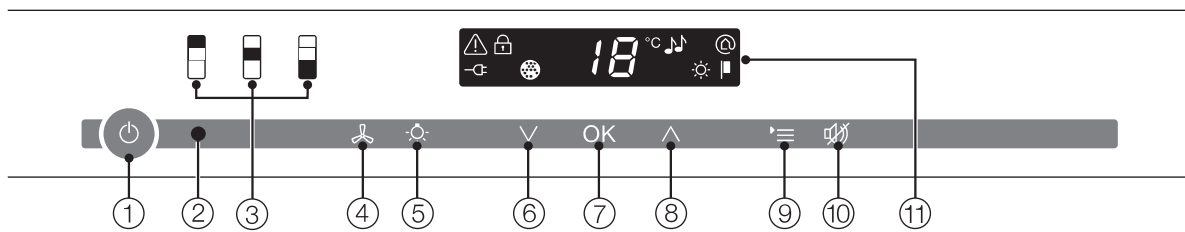
Contents

Description of the appliance	4
Accessories	7
Caring for the environment	8
Warning and Safety instructions	9
How to save energy	17
Switching on and off	18
Before using for the first time	18
Protective foil	18
Cleaning and care	18
Operation	18
Switching on	18
Switching off	19
Switching off for longer periods of time	19
Selecting further settings	20
Safety lock 	20
Acoustic signals 	21
Display brightness 	22
Temperature and air quality	23
Temperature	23
Setting the temperature	24
Temperature range	25
Temperature display	25
Air quality and humidity	26
Dynamic cooling (constant air humidity) 	26
Air filtering with active charcoal filters	27
Temperature and door alarm	28
Feature lighting	30
Switching the feature lighting on and off	30
Lighting duration of the feature lighting	30
Altering the brightness of the feature lighting	31
Storing wine bottles	32
Wooden shelves	32
Removing the wooden shelves	33
Adjusting the wooden shelves	33
Annotating wooden shelves	34
Bottle presenter	34
Maximum capacity	35

Contents

Automatic defrost	36
Cleaning and care	37
Cleaning the outer casing, the door, the interior and accessories	37
Ventilation gaps	38
Door seal	38
Metal grille at the back of the appliance	38
Active charcoal filter	39
To change the active charcoal filters.	39
Problem solving guide	41
Noises	46
After Sales / Guarantee	47
Guarantee	47
Note for test institutes	48
Information for dealers	49
Demo mode 	49
Electrical connection	51
Installation	52
Location	52
Climate range	52
Ventilation	53
Installation	53
Niche floor.	53
Aligning the appliance.	53
Levelling the appliance door	53
Door opening angle limiter	53
Appliance dimensions	54
Changing the door hinging	55






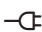

Description of the appliance



- ① On/Off sensor for the whole appliance
- ② Optical interface - for Service technician use only
- ③ For selecting the upper, middle or lower wine conditioning zone
- ④ On/Off sensor for the Dynamic cooling function (constant humidity)
- ⑤ On/Off sensor for the feature lighting
- ⑥ Sensor for setting a lower temperature (V)
- ⑦ For confirming a selection (OK sensor)
- ⑧ Sensor for setting a higher temperature (^)
- ⑨ For accessing or leaving settings mode
- ⑩ For switching off the temperature or door alarm
- ⑪ Display with temperature and symbols (Symbols only visible in settings mode; see table for explanation of symbols)

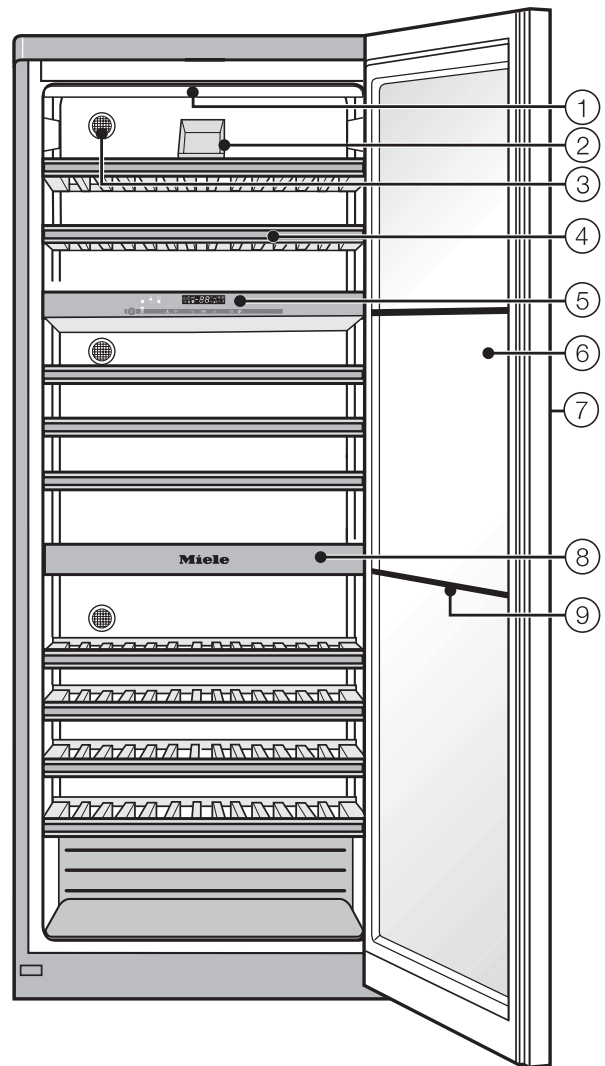
Description of the appliance

Symbols in settings mode:

Symbol	Meaning	Function
	Safety lock	To prevent inadvertent switching off and altering of settings
	Acoustic signals	For switching on and off keypad tones and the door alarm when it has been activated
@	Miele@home	Lights up when Miele@Home communication module is installed and signed on.
	Demonstration mode (only visible when demonstration mode is activated)	For switching off demonstration mode
	Display brightness	For adjusting the brightness of the display
	Active charcoal filter	Lights up when the active charcoal filter needs changing.
	Mains connection (only visible when appliance is switched off or in case of a power failure)	Confirms that the appliance is connected to the mains electrical supply; flashes in the case of a power failure.
	Alarm (only visible when the temperature or door alarm is sounding)	Indicates a door or temperature alarm

Description of the appliance

- ① Lighting strip
(in all three wine conditioning zones)
- ② Bottle presenter (Selector)
- ③ Active charcoal filter
(in all three wine conditioning zones)
- ④ Wooden shelves with note boards
- ⑤ Control panel for the upper, middle and lower wine conditioning zones/
Isolator plate for thermal separation of the different zones
- ⑥ Safety glass door with UV filter
- ⑦ Integrated door handle
- ⑧ Isolator plate for thermal separation of the different zones
- ⑨ Isolator strips for thermal separation of the different zones



Accessories supplied

Active charcoal filter

The active charcoal filters in the back wall achieve optimum air quality by filtering the incoming air.

Stainless steel care

The stainless steel cloth is impregnated with stainless steel conditioner for optimum cleaning and protection.

Chalk

Use the chalk to annotate the magnetic strips on the wooden shelves to identify your wines quickly and easily.

Optional accessories

Active charcoal filter

(See "Accessories supplied").

Stainless steel care

- Stainless steel conditioner (in a bottle) forms a waterproof protective film which helps prevent re-soiling and resists fingerprints and other dirt.
- Stainless steel care cloth (See "Accessories supplied").

E-Cloth (microfibre cloth)

The microfibre "E-Cloth" is suitable for cleaning surfaces such as stainless steel, glass, plastic and chrome without the use of chemicals.

Optional accessories are available from Miele or on the internet.



Caring for the environment

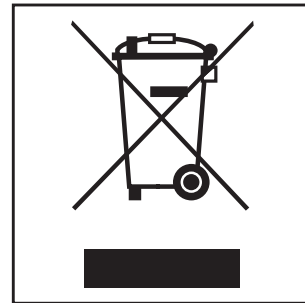
Disposal of the packing material

The packaging is designed to protect the appliance from damage during transportation. The packaging materials used are selected from materials which are environmentally friendly for disposal and should be recycled.

Recycling the packaging reduces the use of raw materials in the manufacturing process and also reduces the amount of waste in landfill sites.

Disposal of your old appliance

Electrical and electronic appliances often contain valuable materials. They also contain materials which, if handled or disposed of incorrectly, could be potentially hazardous to human health and to the environment. They are, however, essential for the correct functioning of your appliance. Please do not therefore dispose of it with your household waste.



Please dispose of it at your local community waste collection / recycling centre or contact your dealer for advice. Ensure that it presents no danger to children while being stored for disposal.

Take care not to damage the pipework at the back of it before or during transportation to an authorised collection depot.


In this way, refrigerant in the pipework and oil in the compressor will be contained, and will not leak out into the environment.

Warning and Safety instructions

This appliance complies with all statutory safety requirements. Inappropriate use can, however, lead to personal injury and damage to property.

To avoid the risk of accidents and damage to the appliance, please read these instructions carefully before installation and before using it for the first time. They contain important information on installation, safety, use and maintenance. Miele cannot be held liable for damage caused by non-compliance with these Warning and Safety instructions.

Keep these instructions in a safe place and ensure that new users are familiar with the content. Pass them on to any future owner.

 If installed at altitudes above 2500 m, there is a risk of the glass in the door breaking because of changes in air pressure. Shards of glass can cause severe injury if not handled with care.

Correct application

- ▶ The appliance is intended for use in domestic households and similar working and residential environments. This appliance is not intended for outdoor use.
- ▶ It is for storing wine in the home. Do not use it for any other purposes.

Warning and Safety instructions

▶ The appliance is not suitable for storing and keeping cool medicines, blood plasma, laboratory preparations or other such materials or products. Incorrect use of the appliance for such purposes can cause damage and deterioration of the items stored. The appliance is also not suitable for use in areas susceptible to explosion.

Miele cannot accept responsibility for any damage resulting from such misuse or operation.

▶ The appliance can only be used by people with reduced physical, sensory or mental capabilities, or lack of experience and knowledge, if they are supervised whilst using it, or have been shown how to use it in a safe way and recognise and understand the consequences of incorrect operation.

Safety with children

▶ Children under 8 years of age must be kept away from the appliance unless they are constantly supervised.

▶ Children 8 years and older may only use the appliance without supervision if they have been shown how to use it in a safe way and recognise and understand the consequences of incorrect operation.

▶ Children must not be allowed to clean or maintain the appliance unsupervised.

▶ Please supervise children in the vicinity of the appliance and do not let them play with it.

Warning and Safety instructions

► Danger of suffocation. Packaging, e.g. plastic wrappings, must be kept out of the reach of babies and children. Whilst playing, children could become entangled in packaging or pull it over their head and suffocate.

Technical safety

► The coolant system is tested for leaks. The appliance corresponds to the relevant safety requirements and the appropriate EU guidelines.



► This appliance contains the coolant Isobutane (R600a), a natural gas which is environmentally friendly. Although it is flammable, it does not damage the ozone layer and does not increase the greenhouse effect. The use of this coolant has, however, led to a slight increase in the noise level of the appliance. In addition to the noise of the compressor, you might be able to hear the coolant flowing around the system. This is unavoidable, and does not have any adverse effect on the performance of the appliance.

Care must be taken during the transportation and installation of the appliance that no parts of the cooling system are damaged. Leaking refrigerant can damage the eyes.

In the event of any damage:

- avoid any flames or anything which creates a spark,
- disconnect the appliance from the electricity supply.
- ventilate the room where the appliance is located for several minutes, and
- contact the Service Department for advice.

Warning and Safety instructions

▶ The more coolant there is in an appliance, the larger the room it should be installed in. In the event of a leakage, if the appliance is in a small room, there is the danger of combustible gases building up. For every 8 g of coolant at least 1 m³ of room space is required. The amount of coolant in the appliance is stated on the data plate inside the appliance.

▶ To avoid the risk of damage to the appliance, make sure that the connection data (fuse rating, frequency and voltage) on the data plate corresponds to the household supply before connecting the appliance to the mains supply. Consult a qualified electrician if in any doubt.

▶ The electrical safety of this appliance can only be guaranteed when it is correctly earthed. It is most important that this basic safety requirement is present and regularly tested and where there is any doubt, the household wiring system should be inspected by a qualified electrician.

▶ If the electrical connection cable is faulty it must only be replaced by a Miele approved service technician to protect the user from danger.

▶ Do not connect the appliance to the mains electricity supply by a multi-socket adapter or an extension lead. These do not guarantee the required safety of the appliance (e.g. danger of overheating).

▶ Do not use in a damp environment (e.g. garage or utility room). Moisture could reach live components or the electrical connection and cause a short circuit.

Warning and Safety instructions

- ▶ This appliance must not be used in a non-stationary location (e.g. on a ship).
- ▶ A damaged appliance can be dangerous. Check the appliance for visible signs of damage. Do not use a damaged appliance.
- ▶ The appliance must be disconnected from the mains electricity supply during installation, maintenance and repair work. Ensure that power is not supplied to the appliance until after it has been installed or until after any maintenance or repair work has been carried out.
- ▶ Installation, maintenance and repair work may only be carried out by a suitably qualified and competent person in strict accordance with national and local safety regulations.
- ▶ While the appliance is under guarantee, repairs should only be undertaken by a service technician authorised by Miele. Otherwise the guarantee is invalidated.
- ▶ The manufacturer can only guarantee the safety of the appliance when original Miele replacement parts are used. Faulty components must only be replaced by genuine Miele original spare parts.
- ▶ In areas which may be subject to infestation by cockroaches or other vermin, pay particular attention to keeping the appliance and its surroundings clean at all times. Any damage caused by cockroaches or other vermin will not be covered by the guarantee.

Warning and Safety instructions

Correct use

- ▶ The appliance is designed for use within certain climate ranges (ambient temperatures), and should not be used outside this range. The climate range of the appliance is stated on the data plate inside the appliance. Installing it in a room with too low an ambient temperature will lead to the appliance switching off for longer periods so that it cannot maintain the required temperature.
- ▶ Do not cover or block the air vents as this could impair the efficiency of the appliance, increase the electricity consumption and could cause damage to the appliance.
- ▶ Do not store explosive materials in the appliance or any products containing propellants (e.g. spray cans). Electrical components could cause flammable vapours to ignite. Danger of fire and explosion.
- ▶ Do not operate any electrical equipment inside the appliance. Danger of sparking and explosion.
- ▶ If storing alcohol with a high percentage proof, make sure it is tightly closed and stored upright. Danger of explosion.
- ▶ Only use genuine original Miele accessories with this appliance. Using spare parts or accessories from other manufacturers will invalidate the guarantee, and Miele cannot accept liability.

Cleaning and care

- ▶ Do not use any oils or grease on the door seals, as these will cause the seals to deteriorate and become porous with time.
- ▶ Danger of injury.
Do not use a steam cleaning appliance to clean this appliance. The steam could reach electrical components and cause a short circuit.
- ▶ Do not use sharp edged objects to remove frost and ice. They will damage the evaporator, causing irreversible damage to the appliance.
- ▶ Never place electric heaters or candles in the appliance to defrost it. These can damage the plastic parts.
- ▶ Do not use defrosting sprays or de-icers, as they might contain substances which could damage the plastic parts or which could cause a build-up of gases and pose a danger to health.

Warning and Safety instructions

Disposal of your old appliance

▶ Before disposing of an old appliance, first make the door latch or lock unusable.

This way you will prevent children from accidentally locking themselves in and endangering their lives.

▶ Be careful not to damage any part of the pipework whilst awaiting disposal, e.g. by

- puncturing the refrigerant channels in the evaporator.
- bending any pipework.
- scratching the surface coating.

Leaking refrigerant can damage the eyes.

How to save energy

	Normal energy consumption	Increased energy consumption
Installation site	In a ventilated room.	In an enclosed, unventilated room.
	Protected from direct sunlight.	In direct sunlight.
	Not near to a heat source (radiator, oven).	Near to a heat source (radiator, oven).
	Where the ideal ambient room temperature is approx. 20°C.	Where there is a high ambient room temperature.
	Ventilation gaps uncovered and dusted regularly.	Ventilation gaps covered or dusty.
	Compressor and metal grille (heat exchanger) dusted at least once a year.	Dust build-up on the compressor and metal grille (heat exchanger).
Temperature setting	10 to 12 °C	The lower or higher the temperature set, the higher the energy consumption.
Use	Wooden shelves arranged as they were when the appliance was delivered	
	Only open the door when necessary and for as short a time as possible. Store wine bottles in an organised way.	Frequent opening of the door for long periods will cause a loss of coldness. The appliance works harder to cool down and the compressor runs for longer periods.
	Do not over-fill the appliance to allow air to circulate.	

Switching on and off

Before using for the first time

Protective foil

The stainless steel surfaces have a layer of protective foil to prevent scratching during transportation.

- Do not remove this foil until the appliance has been positioned in its final location. Start at one of the upper corners.

Cleaning and care

- After removing the protective foil, treat stainless steel surfaces with the Miele stainless steel conditioning agent supplied with the appliance (See "Accessories").

Important. Each time it is used, the Miele stainless steel conditioning agent forms a water and dirt repellent protective coating.


- Clean the inside of the appliance and the accessories with lukewarm water and then dry with a soft cloth.

Operation

A light touch of the finger on the sensors is all that is required to operate this appliance.


A keypad tone will sound each time a sensor is touched. You can deactivate this, if you wish (see "Selecting further settings - acoustic signals").

Switching on


As soon as the appliance is connected to the electrical supply, the  mains connection symbol appears in the display.




- Touch the On/Off sensor.

The mains connection symbol  goes out and the appliance begins to cool down.



The sensors for the three selectable zones will now appear in the control panel: the upper, middle and lower wine-conditioning zones. The zone selected is highlighted in yellow and the temperature of the selected zone is shown in the display. When first switched on the sensors for the zones and the alarm symbol  will flash until the selected temperature is reached.

When the set temperature is reached, the sensor for the relevant zone lights up constantly. The alarm symbol  will go out as soon as all set temperatures have been reached.

The interior lighting will come on when the door is opened.

Individual settings can be selected for each of the zones.



- Touch the sensor for the particular zone where you would like to select the settings.

The sensor that has been selected is highlighted in yellow. You can now

- set the temperature, and
- switch on the Dynamic cooling function.

Please refer to the relevant section for more information.

If another zone is then selected, the settings for the previously selected zone remain unchanged.

Switching off



- Touch the On/Off sensor.
(If this does not work, the safety lock is still activated).

The three sensors for the wine zones go out in the control panel. The temperature and the mains connection symbol ⏏ appear in the display.

The interior lighting goes out and the cooling process will be switched off.

Switching off for longer periods of time

If the appliance is not going to be used for a longer period of time, e.g. whilst on holiday:

- switch the appliance off,
- disconnect it from the mains,
- clean the appliance out and
- leave the door ajar to air the appliance.

If, during a long absence, the appliance is switched off but not cleaned out and the door is left shut, there is a danger of mould and odours building up inside the appliance.

Selecting further settings

Certain settings on the appliance can only be selected in settings mode.

When in settings mode, the door alarm is automatically deactivated.

Safety lock


The safety lock can be activated to prevent:

- the appliance being switched off inadvertently,
- inadvertent changing of temperature,
- Dynamic cooling being selected inadvertently,
- the display lighting being inadvertently switched on.

Activating or deactivating the lock




- Touch the settings sensor.



All symbols available for selection appear in the display and the  symbol flashes.



- Touch the OK sensor to confirm the selection.


The last selected setting flashes and the  symbol lights up in the display.



- By touching the ∇ or \triangle sensor, you can now select whether the safety lock is activated or deactivated:
: the safety lock is deactivated
: the safety lock is activated.




- Touch the OK sensor to confirm the selection.

The selected setting is applied, the  symbol flashes.



- Touch the settings sensor to leave settings mode.
Otherwise the appliance exits settings mode automatically after approximately one minute.

The  symbol will appear in the display when the lock is activated.

Selecting further settings

Acoustic signals 🎵

The appliance has acoustic signals such as the sensor tone and the door and temperature alarms.

You can switch off the sensor tone or the door alarm tone, but you cannot deactivate the temperature alarm.

There are 4 different settings to choose from. Option 3 is set at the factory, i.e., sensor tone and door alarm are switched on.



- By touching the ∇ or ▲ sensors, you can now select:

0: Sensor tone off; door alarm off

1: Sensor tone off; door alarm on
(after 4 minutes)

2: Sensor tone off; door alarm on
(after 2 minutes)

3: Sensor tone on; door alarm on
(after 2 minutes)

Switching acoustic signals on/off



- Touch the settings sensor.

All symbols available for selection appear in the display and the 🔒 symbol flashes.



- Touch the sensors for setting the temperature (∇ or ▲), repeatedly until the 🎵 symbol flashes.



- Touch the OK sensor to confirm the selection.

The last selected setting flashes and the 🎵 symbol lights up in the display.



- Touch the OK sensor to confirm the selection.

The selected setting is applied, the 🎵 symbol flashes.



- Touch the settings sensor to leave settings mode. Otherwise the appliance exits settings mode automatically after approximately one minute.

Selecting further settings

Display brightness ☀


The display brightness can be adjusted to suit the lighting conditions of the room.

Display brightness can be altered in stages from 1 to 3. Option 3 (maximum brightness) is set at the factory.

Altering the brightness of the display



- Touch the settings sensor.

All symbols available for selection appear in the display and the  symbol flashes.



- Touch the sensors for setting the temperature (∇ or ^), repeatedly until the ☀ symbol flashes.



- Touch the OK sensor to confirm the selection.

The last selected setting flashes and the ☀ symbol lights up in the display.



- By touching the ∇ or ^ sensors you can now alter the brightness of the display:

1: dimmest setting
2: medium setting,
3: brightest setting.



- Touch the OK sensor to confirm the selection.

The selected setting is applied, the ☀ symbol flashes.



- Touch the settings sensor to leave settings mode. Otherwise the appliance exits settings mode automatically after approximately one minute.

Temperature and air quality

Wine keeps on maturing depending on the surrounding conditions. The length of time for which wine can be kept in good condition will therefore depend not only on the temperature but also on the air quality.

The wine conditioning unit with its constant ideal temperature, increased air humidity and odour free atmosphere offers the perfect conditions for storing your wine.

It also guarantees a vibration-free environment so that the maturing process is not disturbed.

Temperature

Wine can be stored at a temperature between 6°C and 18°C. If you are storing white and red wines together, select a temperature between 12 and 14 °C. This is suitable for both red and white wines.

At too high a temperature (over 22°C), wine matures too quickly, which prevents the aromas from developing further. Wine cannot mature fully at too low a temperature (below 5°C).

Fluctuations in temperature put wine under stress and interrupt the maturing process. It is therefore very important to maintain a constant temperature.

Type of wine	Recommended drinking temperature
Light, fruity reds:	+14 °C to +16 °C
Full-bodied reds:	+18 °C
Rosé wines:	+8 °C to +10 °C
Delicate, aromatic whites:	+8 °C to +12 °C
Full-bodied or sweet whites:	+12 °C to +14 °C
Champagne, sparkling white wines:	+6 °C to +10 °C

Tip: Store the wine 1 or 2 °C cooler than the recommended drinking temperature as it warms up a little when poured into the glass.

Full-bodied reds should be opened for 2 - 3 hours before drinking to allow it to breathe and develop its aroma.

Temperature and air quality

Safety device in case of low ambient temperatures

The appliance is equipped with a safety thermostat to protect your wine against a sharp drop in temperature. If the external temperature should drop below this level, a heater element in the appliance switches on automatically to keep the temperature inside as constant as possible. If the ambient temperature continues to fall, the appliance switches itself off automatically.

Isolator plates for thermal separation

The appliance has two fixed isolator plates which divide the cabinet into three different zones. This enables you to store three different types of wine at the same time, e.g. red wine, white wine and Champagne.

The isolation strips on the inside of the glass door prevent an exchange of heat between the individual zones.

Setting the temperature

The temperature can be set in all three zones independently of each other.



- Touch the sensor for the zone for which you wish to change the temperature, so that it is highlighted yellow.

The current temperature for the selected zone appears in the display.

- Set the temperature using the two sensors underneath the display.

By touching the sensor



- the temperature is reduced (it gets cooler).



- the temperature will get warmer.



- Touch the OK sensor to confirm the selection

or

- wait approximately 5 seconds after the last press of the sensor.

Temperature and air quality

The temperature being set will flash in the display.

The following information shows in the display when the sensors are touched:

- Touching a sensor once:
The **last set temperature** flashes in the display.
- Each subsequent touch of a sensor: adjusts the temperature shown in 1 °C steps.
- Leaving a finger on the sensor: changes the temperature continuously. An audible tone sounds (if switched on) when the lowest or highest possible temperature is reached.

Approx. 5 seconds after letting go of the sensor, the current **actual** temperature of the zone is automatically shown.

When the temperature is altered, there is a short delay until the temperature selected is set.

The temperature display on the control panel always shows the **actual** temperature.

Temperature range

In all three zones, it is possible to set temperatures between 5 and 20°C.

Temperature display

In normal operation the temperature display shows the actual temperature in the zone.

If the temperature in one of the zones is not within the range that the appliance is able to display, only bars will light up in the temperature display.

Depending on the ambient temperature and the setting, it can take the appliance a few hours to reach the temperature required and for this temperature to then be shown as a constant temperature in the display.

Temperature and air quality

Air quality and humidity

A conventional refrigerator with its low humidity level is not the best place to store wine. It is very important to store wine in an atmosphere with a high humidity level so that the corks remain moist on the outside. Low humidity causes corks to dry out from the outside, and so do not seal the bottles as tightly. Wine should be stored lying down to keep the corks moist from the inside too. Air entering the bottle will inevitably spoil the wine.

Do not introduce additional moisture into the air, e.g. by placing a dish of water in the appliance as this will lead to condensation on the interior walls which can cause corrosion damage.

Dynamic cooling (constant air humidity)

Dynamic cooling raises the relative humidity inside the appliance, Dynamic cooling also distributes the humidity and the temperature evenly around the interior so that you can store all your wine under the exactly the same excellent conditions. This will create a stable climate in the cabinet which imitates that of a wine cellar.

Switching on Dynamic cooling

If you would like to use the wine storage unit to store wine long term, we recommend that you keep the Dynamic cooling function switched on.



- Touch the Constant humidity (Dynamic cooling) sensor. It will light up yellow.

Even if dynamic cooling has not been switched on, the fans in the appliance will come on automatically when the cooling system switches on to ensure your wine is kept in the optimum climate.

The fan automatically switches off when the door is open.

Switching off Dynamic cooling

The appliance uses slightly more energy and is a little noisier when the dynamic cooling function is switched on. You can switch it off now and then if you wish.




- Touch the Constant humidity (Dynamic cooling) sensor so that it is no longer lit up yellow.

Air filtering with active charcoal filters

The active charcoal filters achieve optimum air quality by filtering the incoming air.

Fresh air from the outside enters the appliance via the active charcoal filters. The dynamic cooling system then distributes the air evenly throughout the cabinet.


Filtering the incoming air through the active charcoal filters ensures that all the air entering the appliance is fresh and free from dust and smells. This in turn ensures your wine does not absorb any unwanted odours.

Replace the active charcoal filters when the  indicator appears in the display (see "Active charcoal filter").

Temperature and door alarm


Your appliance is fitted with a warning system which ensures that the temperature in the three zones cannot rise or fall unnoticed and impair the wine.

Temperature alarm

If the temperature in one of the zones gets too warm or too cold, the sensor for the zone concerned and the alarm symbol  will flash at the same time in the control panel. An audible alarm will also sound.

The alarm will sound and the alarm off indicator light will come on, for example,

- when you switch the appliance on, and for as long as the temperature in a particular zone differs from the temperature set.
- if the door has been left open for a while in order to re-arrange or take wine bottles out and warm air has entered the appliance.
- if a large number of wine bottles are put into the appliance at once.
- in the event of a power cut,

The alarm will stop and the Alarm symbol  will go out when the temperature reaches the correct level again. The sensor for the zone concerned will light up again constantly.


Switching the alarm off early

If the noise disturbs you, you can switch the alarm off early if you wish.



- Touch the sensor for switching off the temperature alarm.


The alarm will stop.


The relevant zone and the alarm symbol  will continue to be lit up until the temperature is at the correct level.

Safety devices in case of low ambient temperatures

The appliance is equipped with a safety thermostat to protect your wine against a sharp drop in temperature. If the external temperature should drop below this level, a heater element in the appliance switches on automatically to keep the temperature inside as constant as possible. If the ambient temperature continues to fall, the appliance switches itself off automatically.

Door alarm

The alarm will sound if the door is left open for more than approx. 2 minutes. The three sensors for the wine zones will flash in the control panel. The  symbol will appear in the display.

The alarm will stop and the three sensors and the alarm symbol  will go out after the door is shut.


Switching the door alarm off early

If the noise disturbs you, you can switch the alarm off early if you wish.



- Touch the sensor for switching off the door alarm.

The alarm will stop.

The three sensors and the alarm symbol  will remain lit until the appliance door is closed.

If the audible tone does not sound in the case of a door alarm, the alarm tone has been switched off in settings mode (see "Selecting further settings - acoustic signals".)

Feature lighting

The interior lighting can be set to remain on when the door is closed so your wines can be on display at all times.

Each zone has its own light, so that all three zones are lit up.

Thanks to the use of LED lighting, the wine will not be adversely affected by warming or UV light.

Switching the feature lighting on and off



- Touch the On/Off sensor for the feature lighting so that it is highlighted in yellow.

The interior lighting is now switched on in all three zones, even when the door is closed.

To switch the feature lighting off again,

- Touch the On/Off sensor for the feature lighting so that it is no longer highlighted in yellow.

The feature lighting is now switched off when the door is closed.

Lighting duration of the feature lighting

The lighting duration for the feature lighting is set at 30 minutes at the factory.

The lighting duration can be set to 30, 60, 90 minutes, up to 00 (unlimited).

- Open the appliance door.



- Touch the sensor for the feature lighting for approx. 2 seconds until *h* flashes in the display.
- Use the ∇ and \blacktriangle sensors for altering the temperature to set the feature lighting duration. The duration (in minutes) will flash in the display.

By touching the sensor



- Lighting duration is reduced by 30 minutes



- Lighting duration is increased by 30 minutes



- Touch the OK sensor to confirm.

The selected lighting duration is saved for all three zones. The temperature appears again in the display.

The lighting duration set starts anew whenever the appliance door is opened.

Altering the brightness of the feature lighting

The brightness of the interior lighting can be adjusted.



- Touch the sensor for the feature lighting for approx. 4 seconds until *!* flashes in the display (after 2 seconds *h* will flash).
- Use the ∇ and \blacktriangle sensors for altering the temperature to set the feature lighting brightness. The brightness will immediately start to adjust gradually up or down.

By touching the sensor



- the lighting becomes dimmer



- the lighting becomes brighter.



- Touch the OK sensor to confirm.

The selected brightness is saved for all three zones. The temperature appears again in the display.

When the appliance door is closed, the set brightness takes effect. When the appliance door is opened, the interior lighting returns to its normal level.

Do not remove the lighting covers. Should the covers be damaged or need to be removed due to damage, **exercise caution.** There are lasers in the lighting (laser beam class 1M) which you should avoid looking at directly. Do not use optical instruments to look at the lighting!

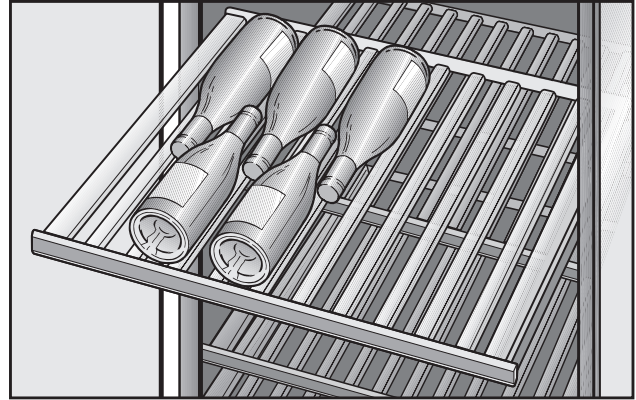
Storing wine bottles

Vibration and movement have a negative effect on the maturing process which can affect the taste of the wine.

To avoid disturbing other bottles when removing a bottle of wine, store bottles of the same type beside each other on the same shelf. Do not stack bottles on top of one another on the wooden shelves.

Always place the bottles in a horizontal position so that the corks can be kept moist on the inside and air is prevented from getting into the bottles.

Wooden shelves



The wooden shelves are on telescopic runners which can be pulled out to make it easier to store and remove bottles.

There are two wooden shelves on runners in the middle and lower zones (the second and third shelf from the top in each zone) which can be pulled right out. The remaining wooden shelves can be partially pulled out.

Please note that the wooden shelf with the partial pull-out is shorter than the shelf with the full pull-out, therefore these are not interchangeable.

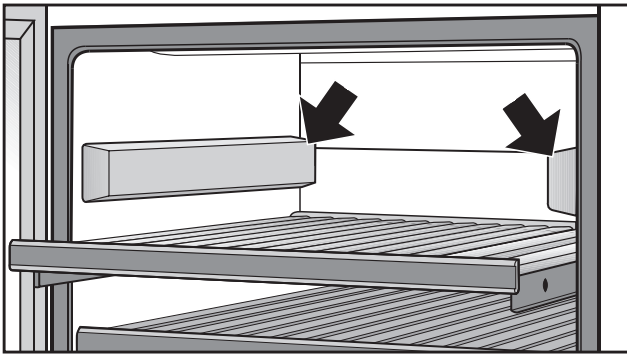
Storing wine bottles

Removing the wooden shelves

The wooden shelves can be removed if required.

- Pull the wooden shelf out until it stops, then lift it up and off the runners. Hold onto the frame to do this.

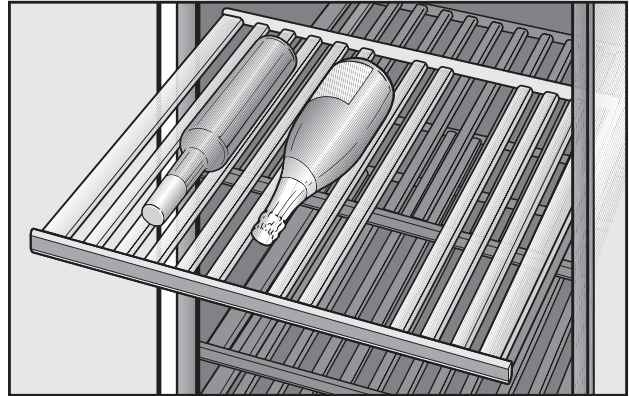
If you require more room (e.g. to set up the bottle presenter):



- Cover the upper runners which are now visible on both sides with the cover strips supplied with the thicker side of the cover pointing forwards. The cover strips are held in place with magnets.
- To replace the shelf, click it into place on the extended runners. The magnetic strip should be pointing forwards.

Adjusting the wooden shelves

The slats in the wooden shelves can be individually adjusted to suit, so that every bottle is stored in perfect safety regardless of shape or size.

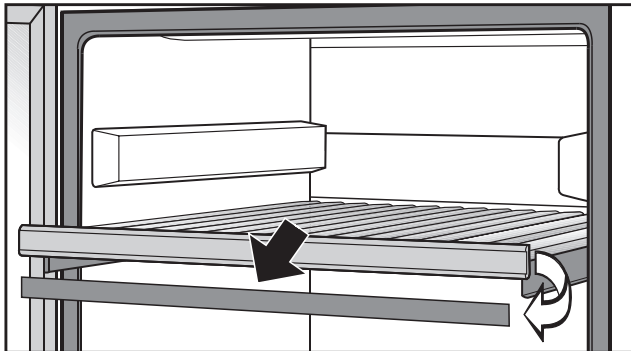


- Simply lift individual slats to move or remove them from the wooden shelves.

Storing wine bottles

Annotating wooden shelves

For quick and easy identification of the wines in storage, you can use the chalk supplied to annotate the magnetic strips on the wooden shelves. You can write directly on the magnetic strips or remove them from the wooden shelf to do so:



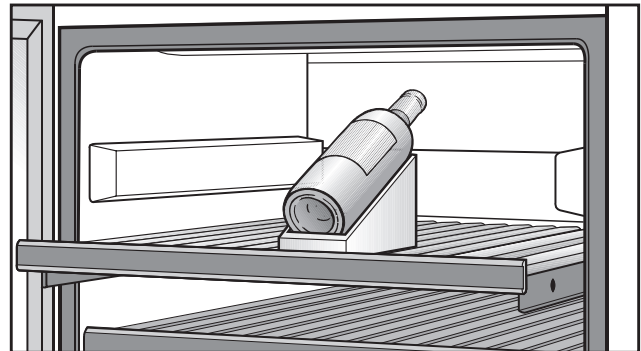
- Hold the magnetic strip by the sides and pull it forwards. The magnetic strip is held on the wooden shelf by magnets.
- Annotate the magnetic strip with the chalk supplied and replace it on the front of the wooden shelf.
- The magnetic strip can be wiped clean with a damp cloth.

Use clear water only to wipe the magnetic strips. **Do not use a cleaning agent** as this would damage the coating on the magnetic strips.

Bottle presenter

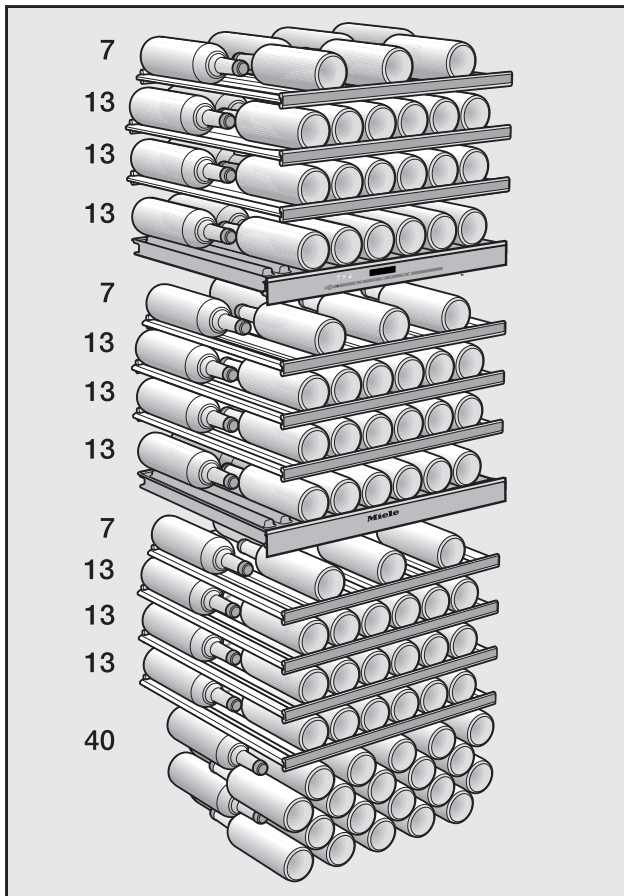
The bottle presenter can be used to raise particular bottles so that they can be viewed when the door is shut.

To set up the bottle presenter, the shelf above must be removed:



- Remove the shelf and cover the side runners with the cover strips.
- Place the bottle presenter at the very front of the wooden shelf required and lay the wine bottle on the bottle presenter.
- If desired, switch on the feature light (see "Feature lighting") to illuminate the selected bottle.

Maximum capacity



Up to 178 Bordeaux bottles (0.75 l) can be stored in the appliance as illustrated above, with 46 in the upper zone, 46 the middle zone and 86 in the lower zone.

The total of 178 bottles can only be achieved by using all wooden shelves.

Each wooden shelf has a maximum load-bearing capacity of 35 kg.
Do not stack bottles on the wooden shelves.

Automatic defrost

Condensate and frost can build up on the back wall of the appliance whilst it is in use. These are automatically removed and defrosted by the appliance.

The condensate is drained away via a channel and drain hole into an evaporation system at the back of the appliance.

Make sure that water cannot get into the electronic unit or into the lighting.

Do not use steam cleaning apparatus to clean the appliance. The steam could reach the electrical components and cause a short circuit.

The data plate located inside the appliance must not be removed. It contains information which is required in the event of a service call.

To avoid damaging the surface of your appliance, do not use:

- cleaning agents containing soda, ammonia, acids or chlorides,
- cleaning agents containing descaling agents,
- abrasive cleaning agents, e.g. powder cleaners and cream cleaners,
- solvent-based cleaning agents,
- stainless steel cleaning agents,
- dishwasher cleaner,
- oven sprays,
- glass cleaner (except for the glass in the appliance door)
- hard, abrasive sponges and brushes, e.g. pot scourers,
- melamine eraser blocks,
- sharp metal scrapers.

Before cleaning

- Switch off the appliance.
- Disconnect it from the mains.
- Take any wine bottles out of the appliance and store it in a cool place.
- Take out any removable parts for cleaning.
- Remove the magnetic strips from the wooden shelves before cleaning them (see "Annotating wooden shelves").

Cleaning the outer casing, the door, the interior and accessories

- Clean the appliance at least once a month.

Remove soiling immediately to prevent it from drying on.

- Clean the interior with a solution of lukewarm water and a little washing-up liquid.
- The wooden shelves should only be wiped with a well-wrung-out damp cloth. **They must not be allowed to get wet.**
- Use clear water only to wipe the magnetic strips at the front of the wooden shelves. **Do not use a cleaning agent** as this would damage the coating on the magnetic strips.

Cleaning and care

- After cleaning, wipe the interior and accessories with a damp cloth, and dry with a soft cloth. Leave the door open to air the appliance for a short while.
- Use Miele stainless steel conditioning agent (see "Optional accessories") to clean and care for the stainless steel surfaces on the inside and outside of the appliance. Unlike stainless steel cleaning agents, the conditioning agent does not contain any abrasive substances and will gently remove soiling. Each time it is used, it forms a water and dirt repellent protective coating.
- Make sure you treat the exterior stainless steel surfaces with Miele stainless steel conditioning agent **each time** you clean them. This will give them a water and dirt repellent protective coating and help prevent re-soiling.
- Clean the appliance door with a proprietary glass cleaner.

Ventilation gaps

- The ventilation gaps should be cleaned on a regular basis with a brush or vacuum cleaner. A build-up of dust will increase the energy consumption of the appliance.

Door seal

Do not use any oils or grease on the door seal as these will cause the seal to deteriorate and become porous over time.

- The door seal should be cleaned regularly with clean water and then wiped dry with a soft cloth.

Metal grille at the back of the appliance

The metal grille at the back of the appliance (heat exchanger) must be dusted at least once a year. A build-up of dust will increase the energy consumption of the appliance.


When cleaning the grille, make sure that the pipework and other components do not get broken or damaged in any way.

After cleaning

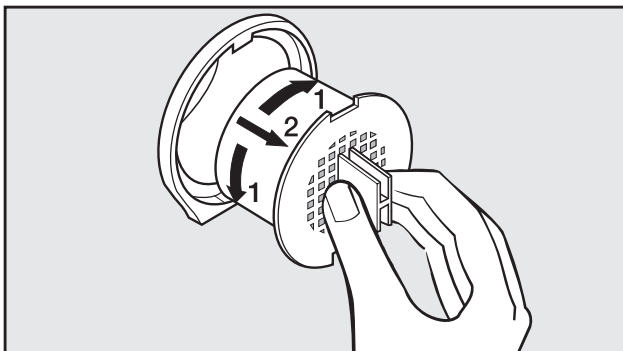
- Replace all shelves and accessories in the appliance.
- Reconnect to the mains and switch the appliance back on.
- Place the wine bottles back in the appliance and close the door.

Active charcoal filter

Fresh air from the room enters the appliance through the active charcoal filters, ensuring a fresh, dust-free, odourless air supply. The active charcoal filters should be changed approx. every 12 months.

When the Change active charcoal filter indicator  lights up red, the active charcoal filters in each of the wine conditioning zones need to be changed.

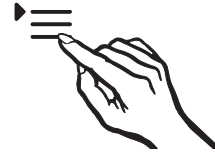
To change the active charcoal filters




- Turn the filter 90° clockwise or anti-clockwise.
- Remove the filter.
- Insert a new filter with the handle in the vertical position.
- Turn the filter 90° clockwise or anti-clockwise until it clicks into position.

Replacement active charcoal filters are available from Miele (see "Accessories").


To confirm the filters have been changed



- Touch the settings sensor.


All symbols available for selection appear in the display and the  symbol flashes.



- Touch the sensors for setting the temperature (∇ or \blacktriangle), repeatedly until the  symbol flashes.



- Touch the OK sensor to confirm the selection.

The **7** flashes in the display (means: Active charcoal filter is installed in the appliance), the  indicator lights up.




- Touch the sensors for setting the temperature (∇ or \blacktriangle), repeatedly until the **7** symbol is displayed (means: the counter has been re-set).

Active charcoal filter




- Touch the OK sensor to confirm the selection.

The selected setting is applied, the  indicator flashes.



- Press the settings sensor to leave settings mode. Otherwise the appliance exits settings mode automatically after approximately one minute.

The Change active charcoal filter indicator  will go out.

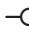

Problem solving guide

Some minor problems can be corrected without contacting Miele. If having followed the suggestions below, you still cannot resolve the problem, please contact Miele.

To prevent unnecessary loss of temperature it is advisable not to open the door while waiting for the appliance to be serviced.

Installation, maintenance and repairs may only be carried out by a suitably qualified and competent person in strict accordance with current national and local safety regulations.






Repairs and other work by unqualified persons could be dangerous. The manufacturer cannot be held liable for unauthorised work.

The appliance does not get cool.		
Problem	Possible cause	Remedy
The interior lighting does not come on when the door is opened and the temperature is not showing in the display.	The appliance has not been switched on.	■ When the appliance is switched on, the temperature will show in the display.
	The plug is not inserted in the socket correctly.	■ Insert the plug in the socket correctly and switch on. When the appliance is switched off the power supply symbol  is shown in the display.
	Check whether the mains fuse has tripped. There could be a fault with the appliance, the household electrical wiring or another electrical appliance.	■ Contact a qualified electrician or Miele.
The control panel and interior lighting are operating.	Demo mode is activated and the  symbol appears in the display.	■ Deactivate Demo mode (see "Information for dealers - Demo mode").

Problem solving guide

The compressor is switching on too frequently and for too long, so the temperature in the appliance is dropping.		
Problem	Possible cause	Remedy
The temperature inside the appliance is too low.	The temperature inside the appliance is set too low.	■ Check the temperature settings.
	The appliance door has not been closed properly.	■ Check that the door is properly closed.
	The appliance door is being opened frequently.	■ Only open the door when necessary and for as short a time as possible.
	The ventilation gaps have been covered over or become dusty.	■ Check that the ventilation gaps are not covered up and dust them regularly.
	The metal grille (heat exchanger) at the rear of the appliance has become dusty.	■ Dust the metal grille.
	The ambient temperature is too warm.	■ Decrease the ambient temperature.


Problem solving guide

Display shows		
Problem	Possible cause	Remedy
The alarm symbol  is lit up, the three sensors for the wine zones are flashing in the control panel. An audible alarm is also sounding.	The door alarm has been triggered.	<ul style="list-style-type: none"> Close the door. The three sensors and the alarm symbol  will go out and the audible alarm stops.
The alarm symbol  and the sensor for one of the zones is flashing, and an audible alarm also sounds.	<p>The temperature in the zone concerned has risen higher or fallen lower than the temperature that has been set. This could be due to:</p> <ul style="list-style-type: none"> – the appliance door being opened too often, – a blocked ventilation gap, – or a lengthy interruption to the power supply. 	<ul style="list-style-type: none"> Rectify the cause of the alarm. The alarm symbol  goes out and the sensor for the zone concerned lights up constantly. The audible alarm stops.
The Change active charcoal filter indicator  lights up.	This is the reminder to change the active charcoal filter.	<ul style="list-style-type: none"> Replace the active charcoal filters in all three zones and then confirm the filter change in settings mode (see "Active charcoal filter").
A bar is lit up/flashing in the temperature display.	Only temperatures within the range the appliance can display will be shown.	
"F1" to "F3" or "S1" to "S9" appear.	There is a fault.	<ul style="list-style-type: none"> Call Miele Service.

Problem solving guide

Interior lighting		
Problem	Possible cause	Remedy
<p>The interior lighting is not working.</p>	<p>To avoid overheating, the lighting switches itself off automatically after approx. 15 minutes if the door is left open. If this is not the case, then there is a fault.</p>	<ul style="list-style-type: none"> ■ Call the Service Department. <div style="border: 1px solid gray; padding: 5px; margin-top: 10px;"> <p>Do not remove the lighting covers. Should the covers be damaged or need to be removed due to damage, exercise caution. There are lasers in the lighting (laser beam class 1M) which you should avoid looking at directly. Do not use optical instruments to look at the lighting!</p> </div>
<p>The interior lighting is on even when the door is closed.</p>	<p>The feature lighting is switched on.</p>	<ul style="list-style-type: none"> ■ Switch the feature lighting off (see "Display lighting").

Problem solving guide

Other problems		
Problem	Possible cause	Remedy
There is no audible alarm although the door has been open for a long time.	This is not a fault. The alarm has been switched off in settings mode (see "Selecting further settings - acoustic signals").	
You cannot switch the appliance off.	The safety lock is activated, the  symbol appears in the display.	<ul style="list-style-type: none"> ■ Deactivate the lock (see "Customising settings - Activating or deactivating the lock").
The slats on the wooden shelves are warping.	Volume change due to moisture absorption or drying out is a typical characteristic of wood. An increase in humidity will cause wooden components to warp, which can lead to cracking. Knots and grain patina are part of the natural character of wood.	
Mildew has begun to form on the wine bottle labels.	Mildew can begin to form on the labels, depending on the type of adhesive used.	<ul style="list-style-type: none"> ■ Remove all traces of the mildew. Wash the wine bottles and remove any adhesive residue.

Noises

Normal noises	What causes them
Brrrrr...	Humming noise made by the motor (compressor). This noise can get louder for brief periods when the motor is switching on.
Blubb, blubb....	A gurgling noise can be heard when coolant is circulating through the pipes.
Click....	Clicking sounds are made when the thermostat switches the motor on and off.
Sssrrrrr....	On multi-zone and frost-free appliances you can sometimes just hear the movement of air circulating inside the appliance.
	On appliances with a water container, the pump makes a humming noise when water is being drawn into the water container.
Creak ...	Creaking sounds can be heard when material inside the appliance expands.

Remember that the noise of the compressor and the coolant circulating in the system is unavoidable.

Noises that you can easily rectify	Possible cause	Remedy
Rattling, vibrating	The appliance is uneven.	Realign the appliance using a spirit level, by raising or lowering the screw feet underneath the appliance.
	The appliance is touching another appliance or piece of furniture.	Move it away.
	Drawers, baskets or shelves are unstable or sticking.	Check all removable items and refit them correctly.
	Are any bottles or containers unstable or knocking against each other?	Separate them.
	The transport cable clips are hanging loose at the back of the appliance.	Remove the clips.

In the event of a fault which you cannot correct yourself, or if the appliance is under guarantee, please contact:

– your Miele Dealer

or

– Miele (see back cover for contact details).

Please note that telephone calls may be monitored and recorded for training purposes.

When contacting your Dealer or Miele, please quote the model and serial number of your appliance. This information is given on the data plate inside the appliance.

N.B. A call-out charge will be applied for service visits where the problem could have been resolved as described in these instructions.

Guarantee

For information on the appliance guarantee specific to your country please contact Miele. See back cover for contact details.

In the U.K. your appliance is guaranteed for 2 years from the date of purchase. However, you must activate your cover by calling 0845 365 6640 or registering online at www.miele.co.uk.

Note for test institutes

Testing must be carried out in accordance with the **relevant Norms and Directives**.

In addition, the following manufacturer's instructions should be observed when preparing and carrying out tests:

- **Loading plans**,
- Instructions in the **Operating and installation instructions**.


Demo mode

The appliance can be demonstrated in the showroom or at exhibitions in "Demo mode". In this mode the control panel and interior lighting are active but the compressor remains switched off, so that the appliance does not cool down.

Switching on demo mode



- Switch the appliance off using the On/Off sensor.

The three sensors for the wine zones go out in the control panel. The temperature display goes out and the mains connection symbol  appears in the display.





- Place your finger in the position of the V sensor, and leave it there.



- At the same time, briefly touch the On/Off sensor (without letting go of the V sensor).



- Leave your finger on the V sensor until the  symbol appears in the display.
- Then release the V sensor.


Demo mode is switched on and the  symbol appears in the display.

Switching off demo mode


The  symbol is lit up in the display.



- Touch the settings sensor.



All symbols available for selection appear in the display and the  symbol flashes.



- Touch the sensors for setting the temperature (V or ^), repeatedly until the  symbol flashes.




- Touch the OK sensor to confirm the selection.

The  flashes in the display (means: demo mode is activated), the  symbol lights up.

Information for dealers



- Touch the ∇ or \blacktriangle sensors, until  appears (means: Demo mode is deactivated).




- Touch the OK sensor to confirm the selection.

The selected setting is applied, the  symbol flashes.



- Press the settings sensor to leave settings mode.
Otherwise the appliance exits settings mode automatically after approximately one minute.

Demo mode is switched off, the  symbol goes out.

Electrical connection U.K.

All electrical work should be carried out by a suitably qualified and competent person in strict accordance with current local and national safety regulations (BS 7671 in the UK).

The appliance is supplied with a mains cable and moulded plug ready for connection to an a.c. single phase 220-240 V 50 Hz supply.

Please ensure that the connection data quoted on the data plate match the household mains supply.

Connection should be made via a suitable switched socket which is easily accessible. It must not be located behind the appliance. For extra safety it is advisable to protect the appliance with a suitable residual current device (RCD).

Do not connect the appliance to the mains electricity supply by an extension lead. Extension leads do not guarantee the required safety of the appliance (e.g. danger of overheating).

This appliance must not be connected to the inverter of an autonomous power supply, e.g. a solar power system. When switching the appliance on, a surge in power could trigger the safety cut-out mechanism. This could damage the electronic unit.

The appliance must not be used with so-called energy saving devices. These reduce the energy supply to the appliance which could then become too warm. Using such devices could alter the specification of the product.

If the connection cable has to be replaced, this must be done by a suitably qualified and competent person.

Do not plug other appliances in behind this appliance

Non-rewireable plugs (BS 1363)

The fuse cover must be re-fitted when changing the fuse, and if the fuse cover is lost, the plug must not be used until a suitable replacement is obtained. The colour of the correct replacement cover is that of the coloured insert in the base of the plug, or the colour that is embossed in words in the base of the plug (as applicable to the design of the plug fitted).

Replacement fuses should be ASTA approved to BS 1362 and have the correct rating. Replacement fuses and fuse covers may be purchased from your local electrical supplier.

WARNING
THIS APPLIANCE MUST BE
EARTHED

Installation

Location

This appliance should not be installed where it is exposed to direct sunlight or directly adjacent to a heat-producing appliance such as an oven or a radiator. The room temperature should not go above or below the climate range for which the appliance is designed. The higher the ambient temperature of the room, the more energy the appliance requires to operate. Make sure the room is well ventilated.

When installing the appliance please be aware:

- The socket must be easily accessible in an emergency, not concealed behind the appliance.
- The plug and cable must not touch the rear of the appliance as they could be damaged by vibrations from the appliance.
- Do not plug in other appliances behind this appliance.

Important: tropical / humid environments

During periods of high humidity, some condensation may appear on outside surfaces of cooling appliances. This condensation will disappear when humidity levels drop. For prevention, it is advisable to install the appliance with sufficient ventilation in a dry and/or an air-conditioned room. Please ensure that the door is closing and sealing properly. Please ensure that the appliance is installed in accordance with these installation instructions. Should you require further assistance please contact your Miele customer service centre.

Climate range

The appliance is designed for use within certain climate ranges (ambient temperatures), and should not be used outside this range. The climate range of the appliance is stated on the data plate.

Climate range	Ambient room temperature
SN	+10 °C to +32 °C
N	+16 °C to +32 °C
ST	+16 °C to +38 °C
T	+16 °C to +43 °C

Ventilation

The appliance can be placed directly against a wall. To ensure sufficient ventilation, the ventilation gaps must not be covered over. The air inlet and outlet must not be covered or blocked in any way. They should be dusted on a regular basis.

Installation

- Remove the cable clip from the back of the appliance.
- Check that all parts at the back of the appliance are unhindered. Carefully remove any hindrance.
- Carefully push the appliance into position.

Niche floor

To ensure the safe installation of the appliance and to guarantee its correct functioning, the floor to the niche where the appliance is to be installed must be smooth and even.

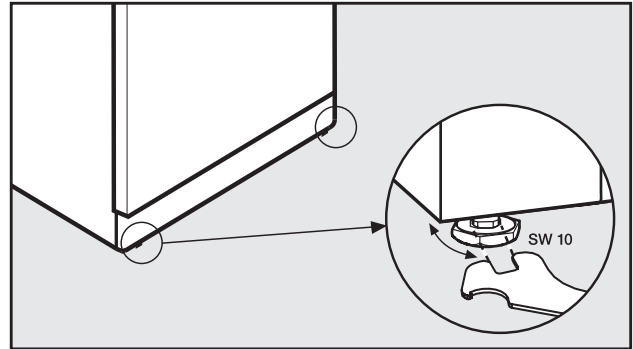
It must be made of strong, rigid material.

The appliance is extremely heavy when loaded and for this reason it is imperative that the floor it stands on is able to bear its weight. If necessary the advice of an architect or a structural engineer should be sought.

The weight of the appliance when empty is approx. 120 kg.

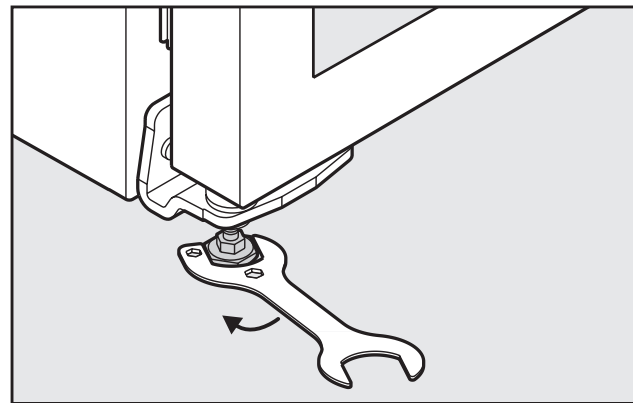
When fully loaded, the weight of the appliance is approx. 350 kg.

Aligning the appliance



- To align the appliance, adjust the front feet using the spanner supplied.

Levelling the appliance door



- **Make sure** that you unscrew the adjusting foot under the lower hinge until it sits on the floor. Then unscrew the foot by a further 90°.

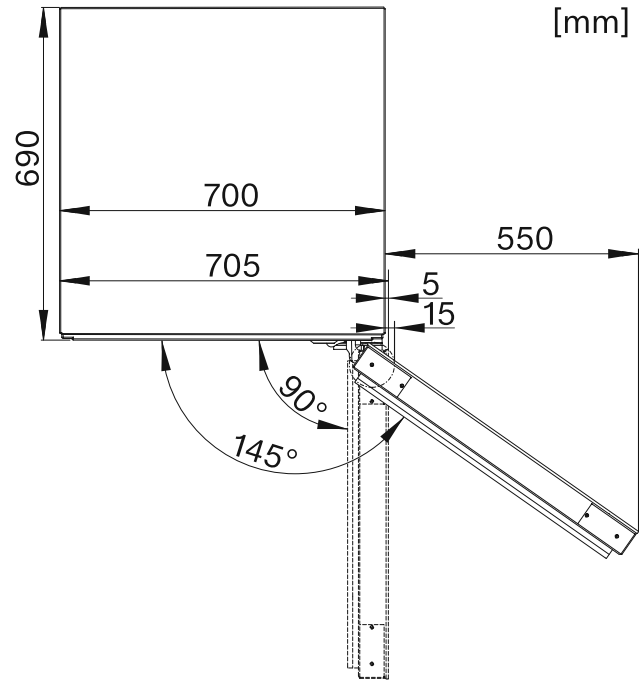
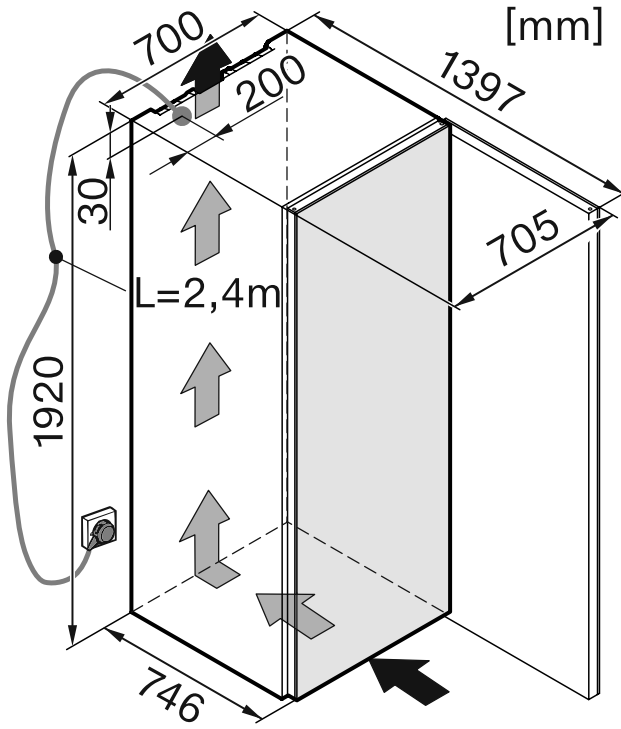
Door opening angle limiter

The door opening angle limiter restricts the opening angle of the appliance door to 90°C. This may be necessary if the appliance door hits an adjacent wall when opened, for example.

The door opening angle limiter is available from your Dealer or Miele.

Installation

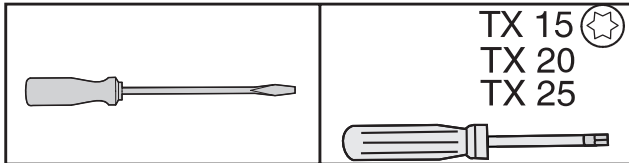
Appliance dimensions



Changing the door hinging

The appliance is supplied right-hand hinged. If left hand door hinging is required, follow the instructions below.

To change the door hinging you will need the following tools:



Two people are needed for changing the door hinging. The glass door is very heavy (approx. 30 kg) and could break.

To protect the appliance door and your floor from damage whilst changing the door hinging,

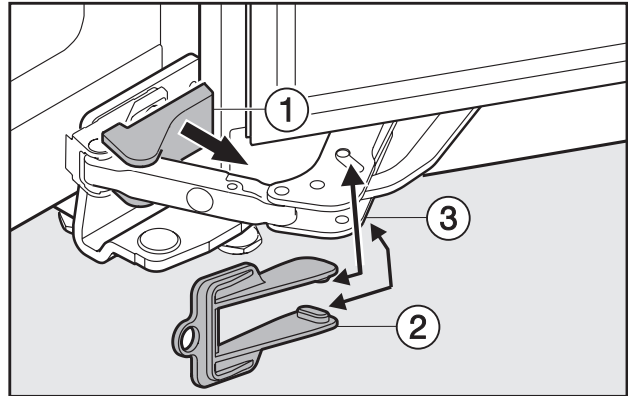
- spread a suitable covering on the floor in front of the appliance.

Take care not to damage the door seal.

If the door seal is damaged, the door will not close properly and cooling will be impaired.

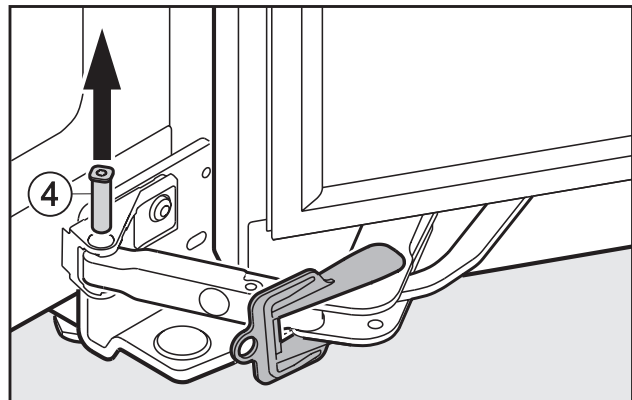
Removing the door

- Open the appliance door as far as it will go.



- Use a flat-bladed screwdriver to remove cover ①.
- Fit red restraining clip ② (supplied with the appliance) onto soft-close mechanism ③.

The restraining clip stops the hinge from snapping shut. Do not remove the clip until told to do so.

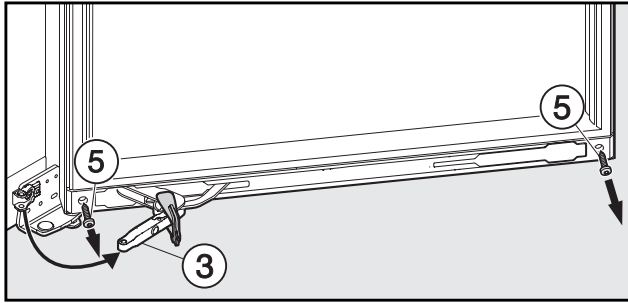


- Push hinge pin ④ up and out from underneath.

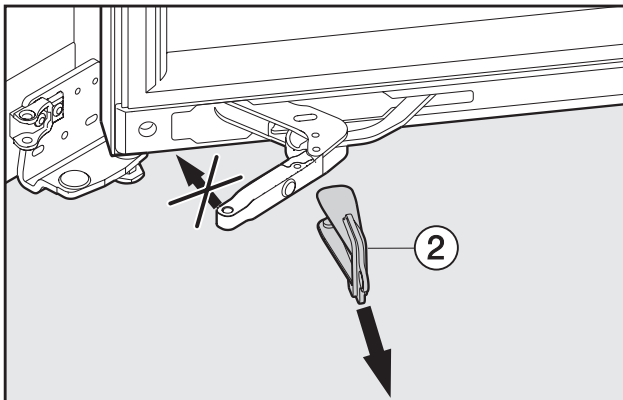
The soft-close mechanism is now no longer fixed to the appliance.

Changing the door hinging

Moving the soft-close mechanism

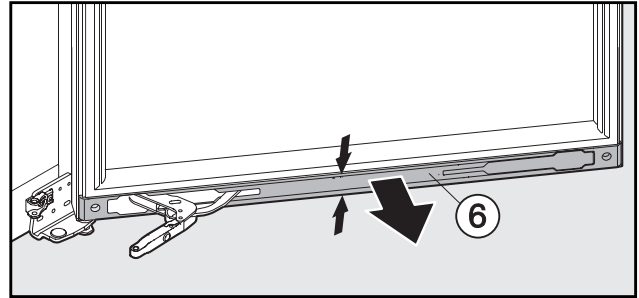


- Push out the soft-close mechanism ③.
- Remove the screws from the soft-close mechanism on the right and left at the bottom of the appliance door ⑤.

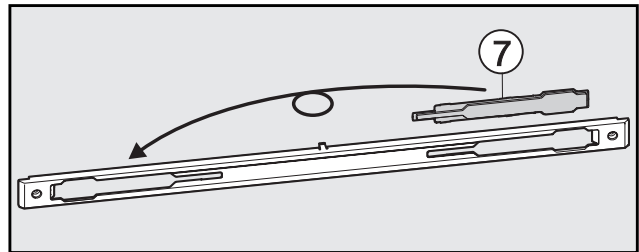


Caution. Do not move the front part of the soft-close mechanism in the direction shown when the restraining clip ② has been removed. Danger of injury.

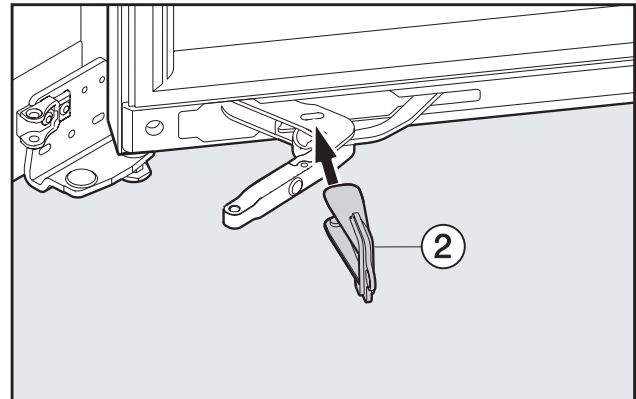
- Remove red restraining clip ② from the soft-close mechanism.



- Pinch cover ⑥ in the middle and remove.

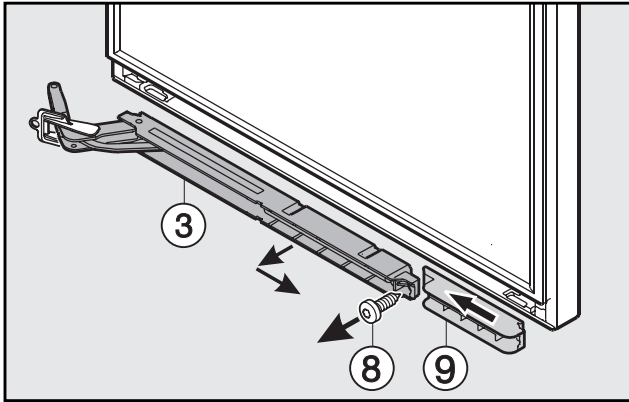


- Refit cover ⑦ on the opposite side.

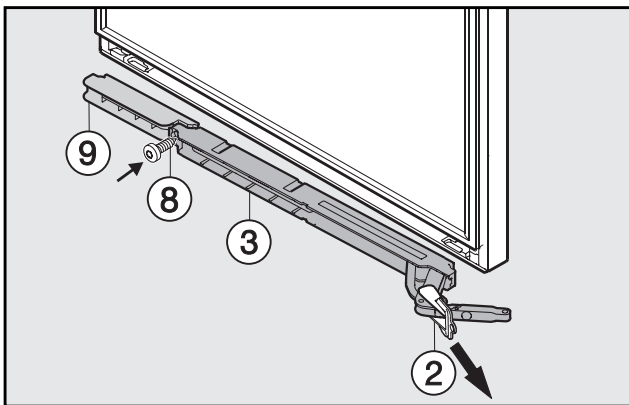


- Put red restraining clip ② back onto the soft-close mechanism.

Changing the door hinging



- Remove screw ⑧ completely.
- Pull out the soft-close mechanism ③ and remove.
- Push spacer ⑨ to the side of the appliance and remove.
- Rotate spacer ⑨ through 180° and replace it on the opposite side. Push the spacer along as far as it will go.



- Rotate soft-close mechanism ③ through 180°. Attach the soft-close mechanism onto the outside first.
- Fix spacer ⑨ and the soft-close mechanism ③ together with screw ⑧.

Caution. Do not move the front part of the soft-close mechanism in the direction shown when the restraining clip ② has been removed. Danger of injury.

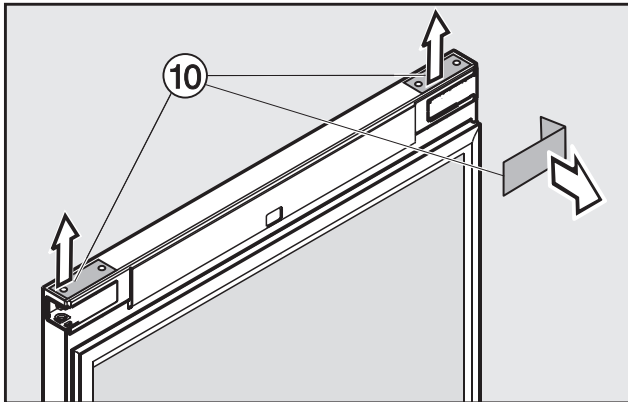
- Remove red restraining clip ② from the soft-close mechanism.



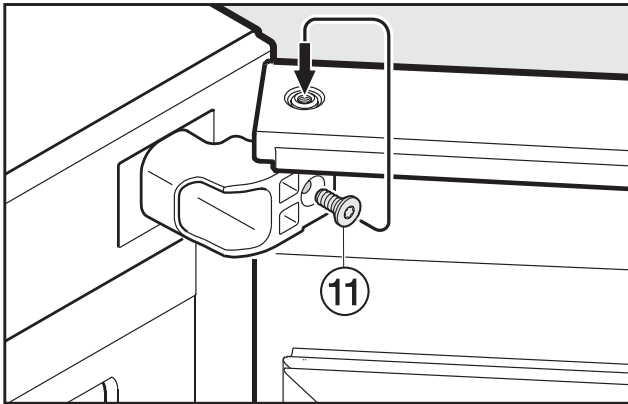
- Refit the cover ⑥ onto the soft-close mechanism.
- Put red restraining clip ② back onto the soft-close mechanism.
- Secure cover ⑥ with screws ⑤.

Changing the door hinging

Removing the door

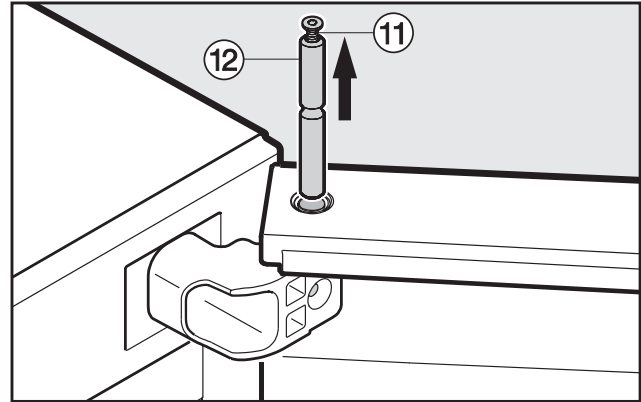


- Remove covers ⑩ from the top of the appliance door using a small flat-bladed screwdriver.
- Open the appliance door as far as it will go.



- Remove screw ⑪ from the hinge and screw it loosely with 3 or 4 turns into the top of the hinge pin.

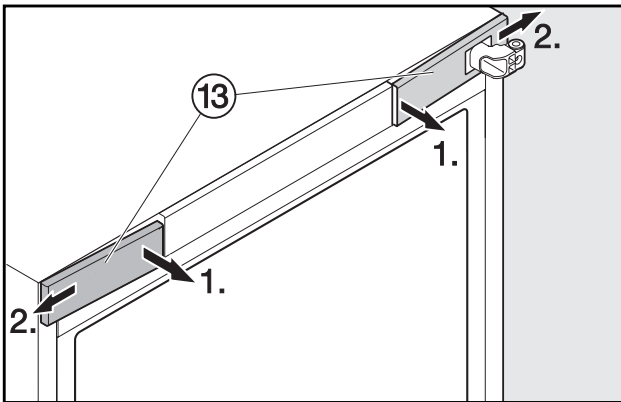
Caution. In the next step the door will be removed from the appliance. It is extremely heavy and needs to be handled by two people.



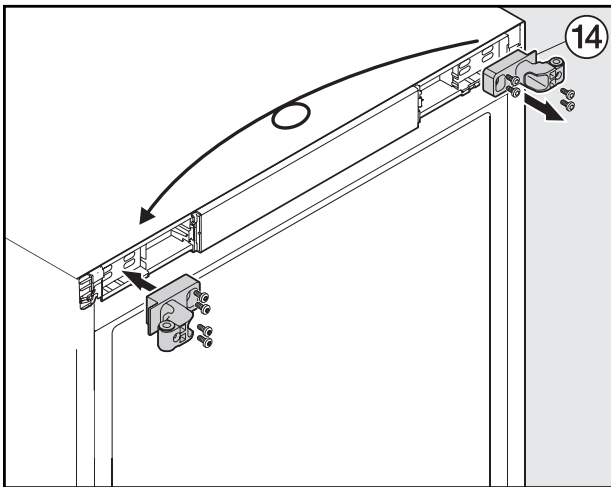
- Take hinge pin ⑫ upwards and out.
Tip: Leave screw ⑪ in the hinge pin until the hinge pin is inserted on the opposite side.
- Carefully lift the door off and place it to one side.

Changing the door hinging

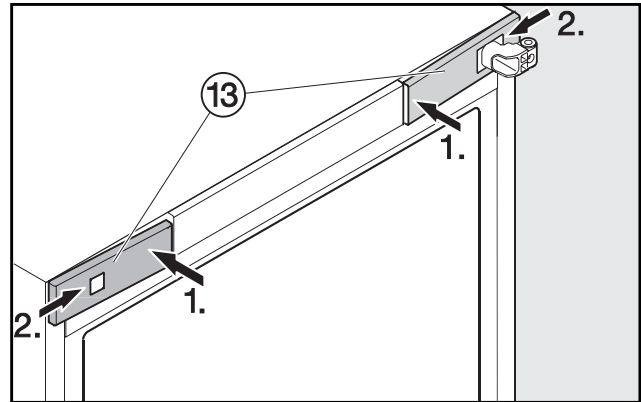
Moving the bearing block



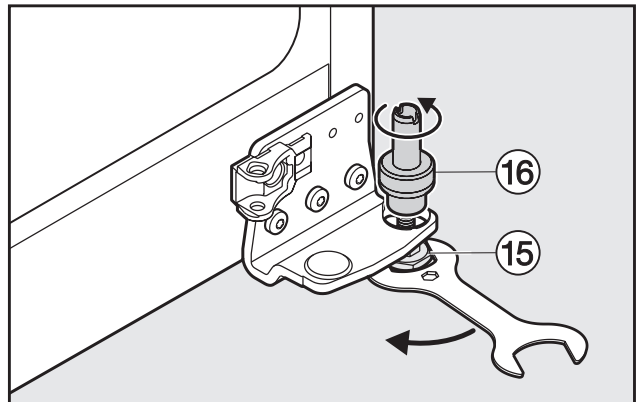
- Remove both covers ⑬ on the top of the appliance front.



- Unscrew bearing block ⑭, turn it around and fit it on the opposite side.

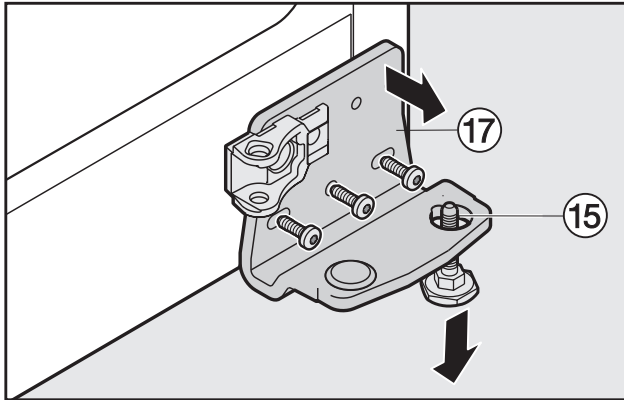


- Click covers ⑬ into place on both sides from the front. Guide the cover with the cut-out over the bearing block.

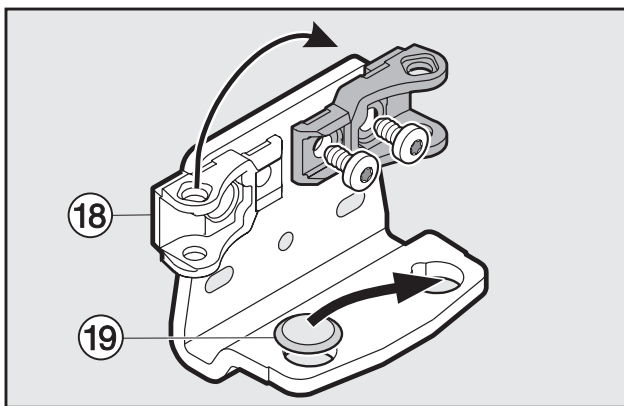


- Loosen adjustable foot ⑮ underneath the appliance with the spanner supplied.
- Pull hinge pin ⑯ upwards and unscrew it from adjustable foot ⑮. Hold the adjustable foot tightly whilst doing this.

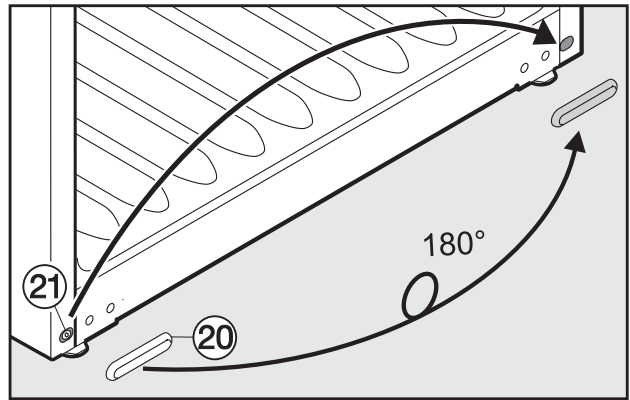
Changing the door hinging



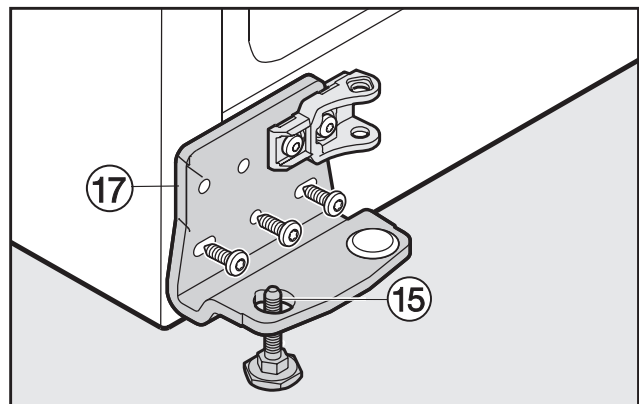
- Unscrew hinge plate ⑰ from the bottom of the appliance.
- Now pull out adjustable foot ⑮ downwards.



- Place holder ⑱ for the soft-close mechanism on the hinge plate on the opposite side.
- Refit cover ⑲ on the opposite side.

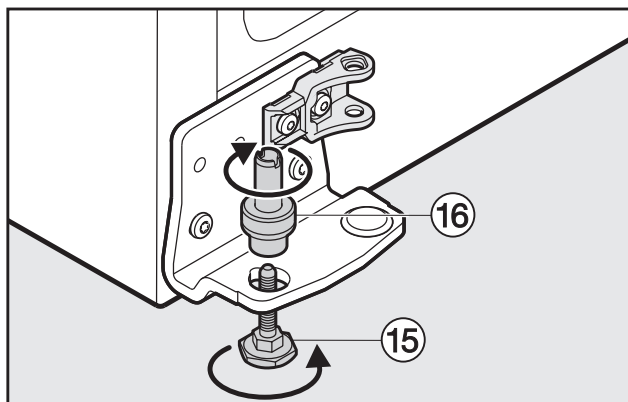


- Remove cover ⑳ from the bottom of the appliance.
- Remove screw ㉑ on the bottom of the appliance and replace on the opposite side.
- Refit cover ⑳ on the opposite side.



- Push adjustable foot ⑮ upwards into hinge plate ⑰.
- Secure hinge plate ⑰ with the middle screw first, then with the other two screws.

Changing the door hinging

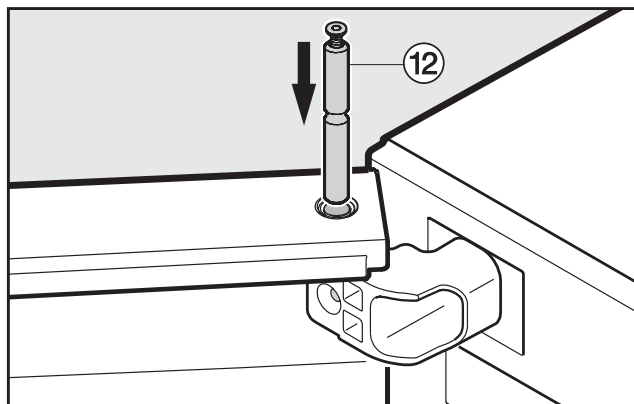


- Screw pin ⑯ onto adjustable foot ⑮ from above, taking care of the groove.
- Tighten adjustable foot ⑮.

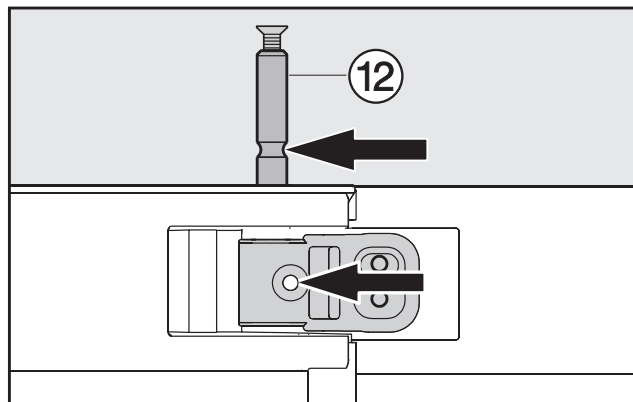
Refitting the door

- Place the appliance door onto the lower pin ⑯ and guide the top towards the hinge plate.

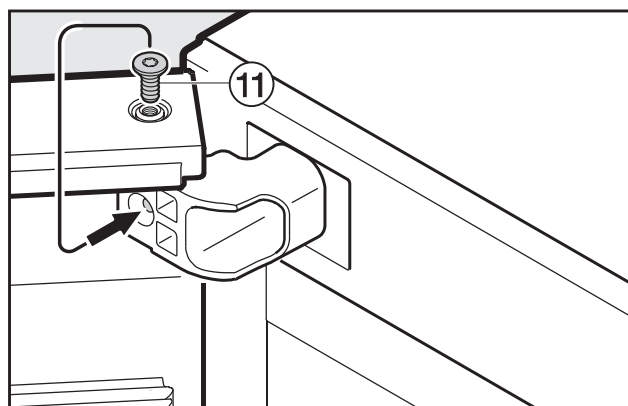
Caution. The appliance door is extremely heavy and needs to be handled by two people.



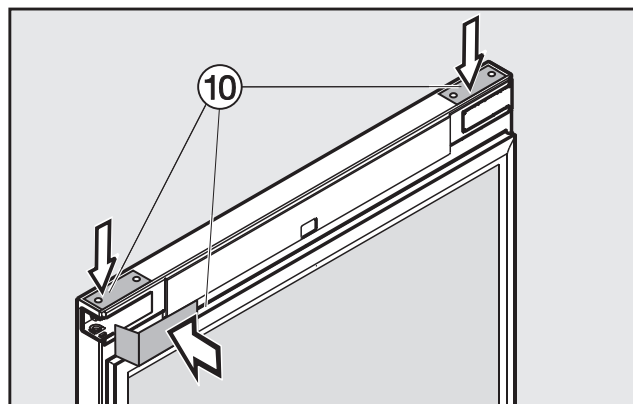
- Place hinge pin ⑫ into the bearing block from above.



- Push hinge pin ⑫ in until the groove on the pin is in line with the drill holes in the bearing block.

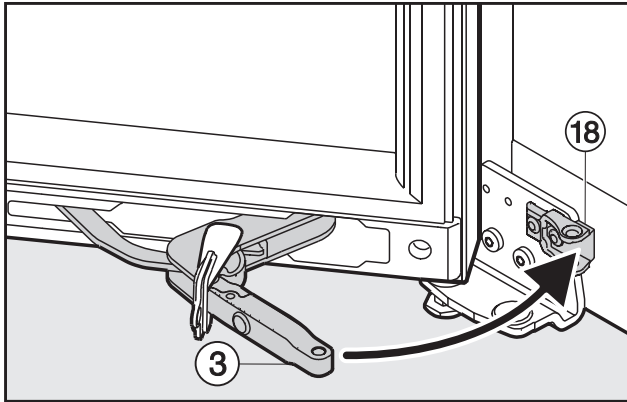


- Remove screw ⑪ from the hinge pin and screw it into the drill hole in the bearing block.

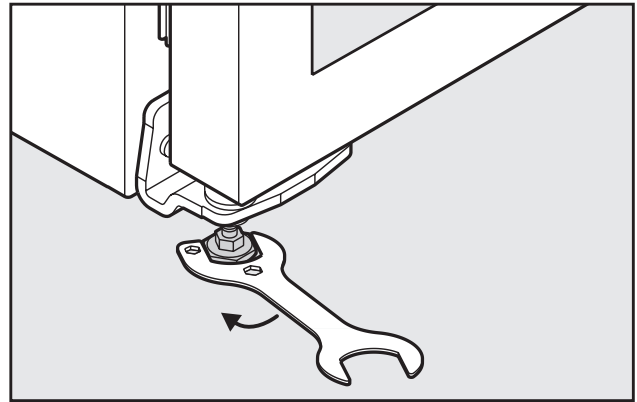


- Refit the covers ⑩ onto the appliance door.

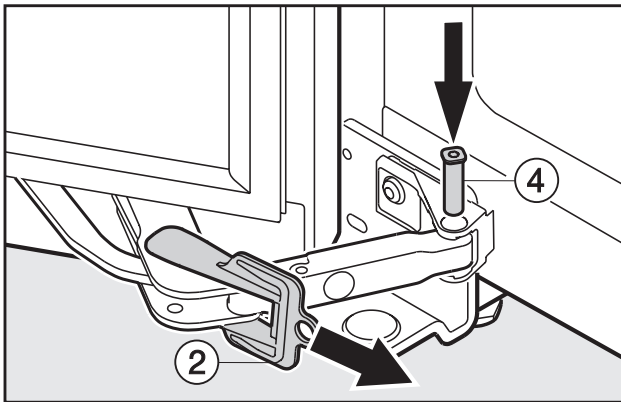
Changing the door hinging



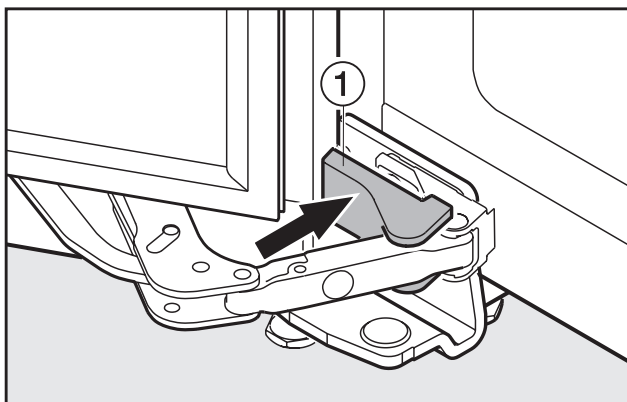
- Pull the arm of the soft-close mechanism ③ outwards to holder ⑱.



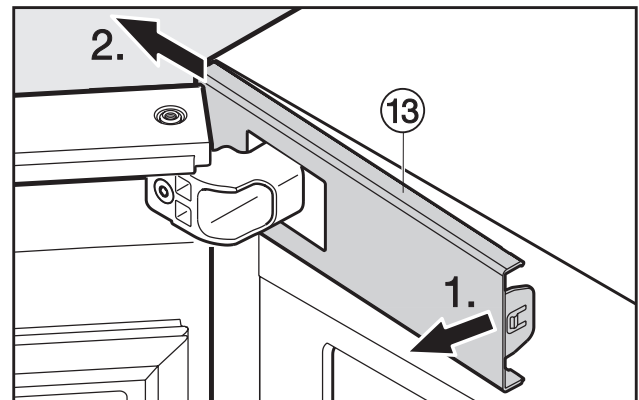
- Make sure that you unscrew the adjusting foot under the lower hinge until it sits on the floor. Then unscrew the foot by a further 90°.



- Place hinge pin ④ into the soft-close mechanism from above.
- Remove red retaining clip ②.

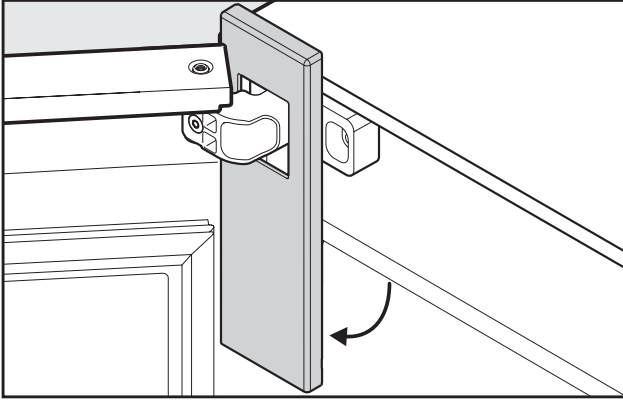


- Refit cover ①.
- Position the appliance in its final location.

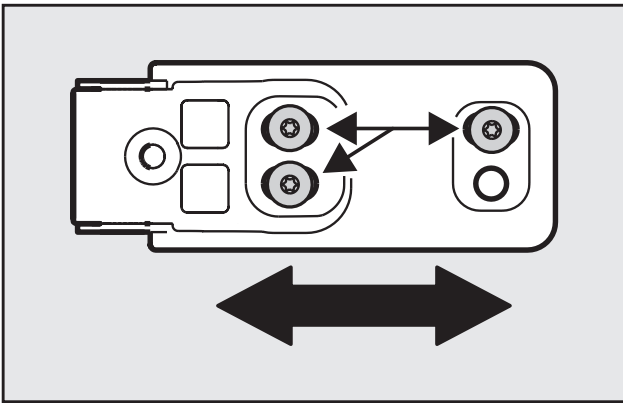


- Remove cover ⑬ from the inside of the bearing block and slide it out.

Changing the door hinging



- Swing the cover downwards.



- Remove the three screws from the bearing block and adjust the bearing block to the left or right.
- Tighten the screws.
- Replace the cover.
- Close the appliance door and check that it is aligned with the side walls.

United Kingdom

Miele Co. Ltd.
Fairacres, Marcham Road
Abingdon, Oxon, OX14 1TW
Tel: 0845 365 0555, Fax: 0845 365 0777
Customer Contact Centre Tel: 0845 365 6600
E-mail: info@miele.co.uk
Internet: www.miele.co.uk

Australia

Miele Australia Pty. Ltd.
ABN 96 005 635 398
1 Gilbert Park Drive, Knoxfield, VIC 3180
Tel: 1300 464 353, Fax: (03) 9764 7149
Internet: www.miele.com.au

China

Miele (Shanghai) Trading Ltd.
1-3 Floor, No. 82 Shi Men Yi Road
Jing' an District
200040 Shanghai, PRC
Tel: +86 21 6157 3500, Fax: +86 21 6157 3511
E-mail: mieleshanghai@cn.miele.com
Internet: www.miele.cn

Miele (Hong Kong) Limited

41/F - 4101, Manhattan Place
23 Wang Tai Road
Kowloon Bay
Hong Kong
Tel: (852) 2610 1331, Fax: (852) 2610 1013
Email: mielehk@miele.com.hk

India

Miele India Pvt. Ltd.
Ground Floor, Copia Corporate Suites
Plot No. 9, Jasola
New Delhi – 110025
Tel: 011-46 900 000, Fax: 011-46 900 001
E-mail: customercare@miele.in, Internet: www.miele.in

Ireland

Miele Ireland Ltd.
2024 Bianconi Avenue
Citywest Business Campus, Dublin 24
Tel: (01) 461 07 10, Fax: (01) 461 07 97
E-Mail: info@miele.ie, Internet: www.miele.ie

Manufacturer: Miele & Cie. KG
Carl-Miele-Straße 29, 33332 Gütersloh, Germany

Miele

Malaysia

Miele Sdn Bhd
Suite 12-2, Level 12
Menara SapuraKencana Petroleum
Solaris Dutamas No. 1, Jalan Dutamas 1
50480 Kuala Lumpur, Malaysia
Phone: +603-6209-0288
Fax: +603-6205-3768

New Zealand

Miele New Zealand Limited
Unit L, 10-20 Sylvia Park Road
Mt. Wellington, 1060, Auckland, NZ
Tel: 0800 264 353, Fax: 0800 463 453
Internet: www.miele.co.nz

Singapore

Miele Southeast Asia
Miele Pte. Ltd.
163 Penang Road
04 - 02/03 Winsland House II
Singapore 238463
Tel: +65 6735 1191, Fax: +65 6735 1161
E-Mail: infosea@miele.com.sg
Internet: www.miele.sg

South Africa

Miele (Pty) Ltd
63 Peter Place, Bryanston 2194
P.O. Box 69434, Bryanston 2021
Tel: (011) 875 9000, Fax: (011) 875 9035
E-mail: info@miele.co.za
Internet: www.miele.co.za

United Arab Emirates

Miele Appliances Ltd.
P.O. Box 11 47 82
Gold & Diamond Park
Sheikh Zayed Road
Building 6 / Offices Nos. 6-214 to 6-220
Dubai
Tel: +971-4-341 84 44
Fax: +971-4-341 88 52
E-Mail: info@miele.ae, Internet: www.miele.ae

