

**Series 2, Built-In Microwave Oven,
59 x 38 cm, Black
BEL653MB4A**



HEZG9AS00S Adapter

The built-in microwave that fits into a 38 cm niche: use it for extra fast thawing, heating and perfect preparation of foods.

- **AutoPilot 8:** every dish is a perfect success thanks to 8 pre-set automatic programmes.
- **Red LED display control:** easy-to-use thanks to the time functions.
- **Cleaning Assistance:** less cleaning effort thanks to the new cleaning option, which can be especially used for cleaning of light soiling.
- **LED-light:** perfect illumination of foods with minimum energy consumption.
- **The side-opening hinged door:** ideal for elevated installation.

Additional function: Microwave only
 Color / Material Front: Black
 Built-in / Free-standing: Built-in
 Door opening: Button
 Door colour: Black
 Cleaning :Hydrolytic
 Control Panel Material: Plastic
 Dimensions (HxWxD): 382x595x375 mm
 Dimensions of the packed product (HxWxD): 445 x 441 x 680 mm
 Required niche size for installation (HxWxD): 380-382 x 560-568 x 550 mm
 Cavity dimensions: 205 x 310 x 334 mm
 Cavity capacity: 25 l
 Max. microwave power level¹: 800 W
 Number of interior lights: 1
 Net weight: 11.3 kg
 Gross weight: 16.6 kg
 EAN code: 4242005477203
 Connection rating: 1270 W
 Fuse protection: 10 A
 Voltage: 230-240 V
 Frequency: 50 Hz
 Length electrical supply cord: 130 cm



¹ Intelligent inverter technology: maximum output power will be regulated to 600 W when used in longer operation

Series 2, Built-In Microwave Oven, 59 x 38 cm, Black BEL653MB4A

The built-in microwave that fits into a 38 cm niche: use it for extra fast thawing, heating and perfect preparation of foods.

Microwave and heating methods

- Max. Power: 800 W; 5 Microwave power settings: 90 W, 180 W, 360 W, 600 W, 800 W
- Grill 1 KW
- Grill and microwave power levels 90 W, 180 W, 360 W combinable
- Microwave and grill can be used separately and in combination
- Cavity volume: 25 l

Design

- lacquered grey cavity

Cleaning

- Cleaning Assistance (HydroClean program)

Convenience

- LED-display control
- Electronic clock/timer with end time programming
- Rotary control knobs
- User-friendly electronics: extremely easy and comfortable operation
- AutoPilot, 8 automatic programs
- 4 defrost and 3 cooking programmes in microwave function
- Favourite button for individual settings (1 setting)
- Quick Start button: one tap to maximum microwave power for 30 seconds
- LED light
- 29 cm Glass turntable
- Left hinged door
- open door button

Accessories

- 1 x grid

Safety Features

- Child lock, Automatic safety switch off function, Door contact switch
- Integrated cooling fan

Technical Information

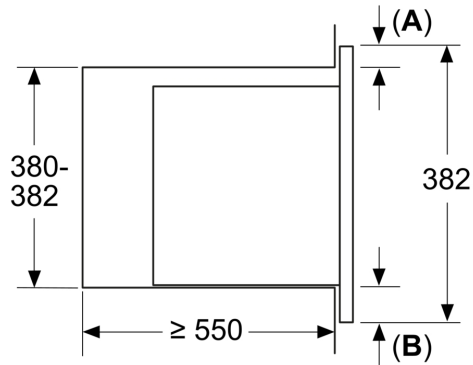
- Length of mains cable: 130 cm
- Total connected load electric: 1.27 KW
- Nominal voltage: 230 - 240 V
- Appliance: 382 x 595 x 375 mm

Dimensions

- Appliance dimensions (HxWxD): 382 mm x 595 mm x 375 mm
- Installation dimensions (HxWxD): 380 mm - 382 mm x 560 mm - 568 mm x 550 mm
- Please reference the built-in dimensions provided in the installation drawing

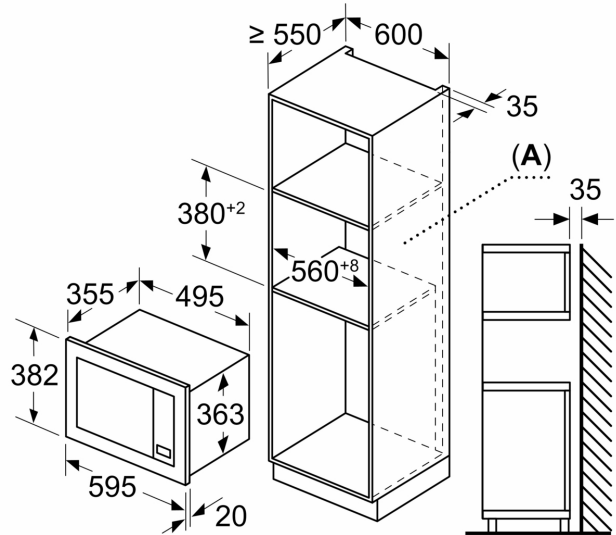
**Series 2, Built-In Microwave Oven,
59 x 38 cm, Black
BEL653MB4A**

measurements in mm
Installation of a 25 l microwave in a
high cupboard



A: Overhang at top: 1 mm
B: Overhang at bottom: 1 mm

measurements in mm



A: Back panel open